

DEMON STORM RANGE
STORM 1
STORM 2
Storm 1 with Hose Reel
Storm 2 with Hose reel
STORM STATIC WALL MOUNTED RANGE
WM1
WM4
STORM STATIC FREE STANDING RANGE
FS1
FS4
STORM TWIN CABINET RANGE
ST1

Declaration of Conformity
(E.H.S.R)

We, Demon International Limited of Abbots Close, Lee Mill Industrial Estate, Ivybridge, Devon, PL21 9GA Declare this machine must be operated in accordance with the operation and safety instructions as supplied with this machine. This machine is manufactured in accordance with the following standards.

HSE PVB PM - BS415 Part 1 - BS5415 Section 2.4 1986

This instruction manual is relevant only to the following machine and will not be kept updated unless specifically requested by the customer. However any changes to the operating procedure or changes which might affect the safety of this machine will be notified to the registered owner of this machine only.

Machine Type	
Serial Number	
Voltage	
Working Pressure	
Date of Supply	

Technical Specifications

Storm 1

Pump	ARXT 11.14		Motor	MTR00100
Pump pressure	100 bar	1500psi	Motor output	P1 2.2KW
Flow rate	11 lpm	2.45gpm	Motor input	P2 3.0KW
Max by pass setting	120 bar	1750psi	Max current	12.5 amps
H.P Nozzle	25045		Voltage	230V + or - 10V
Pump oil	10W40		Insulation	Class F
Unloader valve	ARMM4B/C		Duty cycle	100%
Noise			Protection	IP54

Storm 2

Pump	XT 11.14		Motor	MTR00301
Pump pressure	100 bar	1500psi	Motor output	P1 2.2KW
Flow rate	11 lpm	2.45gpm	Motor input	P2 3.0KW
Max by pass setting	120 bar	1750psi	Max current	24 amps
H.P Nozzle	25045		Voltage	110v + or - 5V
Pump oil	10W40		Insulation	Class F
Unloader valve	ARMM4B/C		Duty cycle	100%
Noise			Protection	IP54

Storm Wallmounted 1

Pump	XT 11.14		Motor	MTR00100
Pump pressure	100bar	1500psi	Motor Output	P1 2.2W
Flow rate	11 lpm	2.45gpm	Motor Input	P2 3.0KW
Max by pass setting	120 bar		Max current	12.5amps
H.P. Nozzle	25045		Voltage	230V + or - 10V
Pump Oil	10W/40		Insulation	Class F
Unloader valve	ARGM3		Duty Cycle	100%
Noise			Protection	IP54

Storm Wallmounted 4

Pump	RK15.20		Motor	MTR00220
Pump pressure	200bar	2900psi	Motor Output	P1 5.5W
Flow rate	15 lpm	3.3gpm	Motor Input	P2 6.6KW
Max by pass setting	210 bar		Max current	12.6 amps phase
H.P. Nozzle	2505		Voltage	415V + or - 10V
Pump Oil	10W/40		Insulation	Class F
Old Unloader valve	ARMM4B/TSS			
New Unloader valve	ARGM3		Duty Cycle	100%
Noise			Protection	IP54

Storm Free Standing 1

Pump	XT 11.14		Motor	MTR00100
Pump pressure	100bar	1500psi	Motor Output	P1 2.2W
Flow rate	11 lpm	2.45gpm	Motor Input	P2 3.0KW
Max by pass setting	120 bar		Max current	12.5amps
H.P. Nozzle	25045		Voltage	230V + or - 10V
Pump Oil	10W/40		Insulation	Class F
Unloader valve	ARGM3		Duty Cycle	100%
Noise			Protection	IP54

Storm Free Standing 4

Pump	RK15.20		Motor	MTR00220
Pump pressure	200bar	2900psi	Motor Output	P1 5.5W
Flow rate	15 lpm	3.3gpm	Motor Input	P2 6.6KW
Max by pass setting	210 bar		Max current	12.6 amps phase
H.P. Nozzle	2505		Voltage	415V + or - 10V
Pump Oil	10W/40		Insulation	Class F
Old Unloader valve	ARMM4B/CTSS		Duty Cycle	100%
New Unloader Valve	ARGM3			
Noise			Protection	IP54

Storm Twin Cabinet ST1

Pump	ARXT 11.14		Motor	MTR00100
Pump pressure	100 bar	1500psi	Motor output	P1 2.2KW
Flow rate	11 lpm	2.45gpm	Motor input	P2 3.0KW
Max by pass setting	120 bar	1750psi	Max current	12.5 amps
H.P Nozzle	25045		Voltage	230V + or - 10V
Pump oil	10W40		Insulation	Class F
Unloader valve	ARGM3		Duty cycle	100%
Noise			Protection	IP54

	Valve Kit	Piston Kit	Oil Seal Kit	Water Seal Kit	MINIMATIC REPAIR KIT
STORM 1	1864	2629	1872	1874	2812
STORM 2	1864	2629	1872	1874	2812
WM 1	1864	2629	1872	1857	2223
WM4	1828	2757	1856	1857	2223
FS 1	1864	2629	1872	1857	2223
FS 4	1828	2757	1856	1857	2223
Storm Twin Cabinet Washer	1864	2629	1872	1874	2223

Common Part Numbers

Chemical Filter	MTM86010
Inlet QR Coupling	MTM73001 (To Tap) 3/4 Female (Nito)
Inlet QR Coupling	MTM73020 (To Tap) 3/4 Male (Nito)
Electrical Box on Storm	DEM101111

PREPARATION

Water Supply:

- a. Ensure there is an adequate water supply either from the mains or a reservoir.
- b. Attach water supply hoses to suitable tap or immerse end of hose into reservoir.

NOTE: ONLY CLEAN FILTERED WATER SHOULD BE USED.

Hoses:

- a. Attach the high pressure hose to the pump connection.
- b. Attach the spray gun to opposite end of the high pressure hose.
- c. Ensure that the regulator nozzle on the end of the spray lance is **CLOSED**.

OPERATION

(Check that electric motor is switched '**OFF**')

- a. Plug into a suitable electrical source. (Not an extension lead)
- b. Turn on water supply.
- c. Ensure that the trigger is '**OPEN**' to vent air from the pump.
- d. Switch '**ON**' electric motor.
- e. Open regulator nozzle slightly and direct lance on surface to be cleaned. Press operating trigger.
- f. Adjust pressure regulator as required to obtain working pressure.
- g. NOTE: The high pressure water will cause the gun to 'kick'. Make sure you have a firm grip of the gun and lance.
- h. On completion of the operation switch '**OFF**' electric motor and unplug from power supply.
- i. Turn '**OFF**' water supply.
- j. Release residual pressure in gun and lance by operating trigger.

OPERATING HINTS

- a. During very cold weather it is most important to protect the machine against freezing. DO NOT operate machine should it become frozen. Move it to a warm area and allow to thaw naturally.
- b. Check all hoses and couplings for leaks, tighten where necessary.

WHEN USING CLEANING AGENTS

- a. Set machine up for water only.
- b. Connect detergent hose to machine and place filter end into detergent reservoir. Unscrew the adjustable nozzle on the end of the lance to reduce the pressure to 500psi. The chemical will now be automatically injected into the water.
- c. On completion of work, flush through hose and gun with clean water to remove any residual detergent.

SERVICING

The Storm range require little maintenance apart from checking the oil level at least every week and changing the oil should it turn white or it is six months old. If the oil turns white it is due only to water entering the pump via the dipstick, which has a breather hole drilled through. The design of the pump does not allow water from the pump to gain access to the gearbox drive.

Should the performance be reduced to a level where the jet is ineffective contact the service department to ascertain the correct remedial repair work.

If using sea water flush after use with fresh water and spray any 3 way valves with silicone spray to lubricate valve.

WARNING

Leaving the pressure washer on by-pass for prolonged periods without operating the lance will cause the water in the pump to heat up. This heat build up may damage the seals and valves in the pump.

OPERATING INSTRUCTIONS

SAFETY

- i. **A Residual Current Device (R.C.D.) or Earth Leakage Trip** must be used with this machine.
- ii. **Water at high pressure is dangerous and can cause serious injury. This machine is to be used with great caution.**
 - a. **NEVER** point the high pressure spray jet at any person, animal, glass or any other material which may shatter.
 - b. **PREVENT** any over-spray from injuring other people or damaging property.
 - c. **DO NOT** even try to use a pressure washer on machinery or electrical equipment that is connected in any way to the mains supply. (all switches in the off position, pull out all plugs and if possible remove fuses). Cover or seal electric motors and fittings to prevent entry of water.
 - d. **ALWAYS** when using machine:-
 - wear safety goggles and helmet or helmet with a visor.
 - wear waterproof clothing and gloves.
 - take particular care with detergents and chemicals.
 - e. **NEVER** attempt to disconnect any hose with pressure in it or allow the hose to be flattened or kinked.
 - f. **DO NOT** use a high pressure hose from a ladder. Use a platform tower or proper scaffolding.
 - g. **CHECK** that your supply voltage agrees with that shown on the machine.
 - h. Demon do not recommend the use of an extension lead using an extension lead will result in switch failure or motor damage. Demon strongly recommend the use of extension hoses as opposed to extension leads. Warranty claims for damaged switches and motors used on extension leads will not be allowed. Ask the service department if in doubt.
 - i. **DO ALL** you can to keep plugs and sockets in a dry place or covered to prevent entry of water.
 - j. Where a cable is found to be damaged, the power must be switched off and the plug removed before attempting to remove the equipment.

Step by Step Operating Manual Demon Storm 1 & 2

How to start the Storm 1 & 2



1



Check oil using sight glass or dipstick. Replenish as required.

2



Connect to mains water supply or a suction hose and filter.

3



Connect high pressure hose to machine.

4



Attach trigger to high pressure hose.

5



Unwind power lead and plug into mains. NB not an extension lead

6



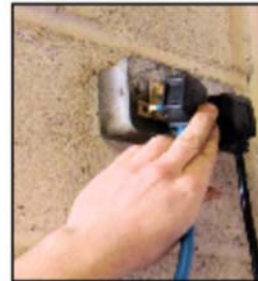
Switch the machine on and begin operating.

7



When finished press switch too off.

8



Unplug and rewind power lead.

9



Disconnect high pressure hose from machine

10



Disconnect from mains water supply.

FAULT FINDER

FAULT	CAUSE	REMEDY
Machine stops suddenly Or will not start.	Blown fuse.	Check mains power supply, re- place fuse. Wait until unit cools down before resetting switch.
Sudden pressure loss.	Water supply failed.	Check water supply.
Low pressure	HP nozzle worn or unloader set Incorrectly.	Replace HP nozzle. Set unloader to correct setting.
Low pressure with noise and vibration.	Valves worn or blocked. Piston seals worn. Pump sucking air.	Clean/replace as required. Replace. Check water supply pipe and un- ions.
Pump will not by-pass.	Non return valve dirty or jammed.	Clean or replace.
Water drips from pump box.	Pump seals worn.	Replace.
Oil drips from pump bottom.	Oil seal worn.	Replace.
Oil is milky in colour.	Water ingress through oil filter plug.	Rinse pump out and replace oil.

IF IN DOUBT ASK—OUR ADVICE IS FREE AND CAN SAVE YOU MONEY

Demon Storm Cold Water Range—General Arrangement

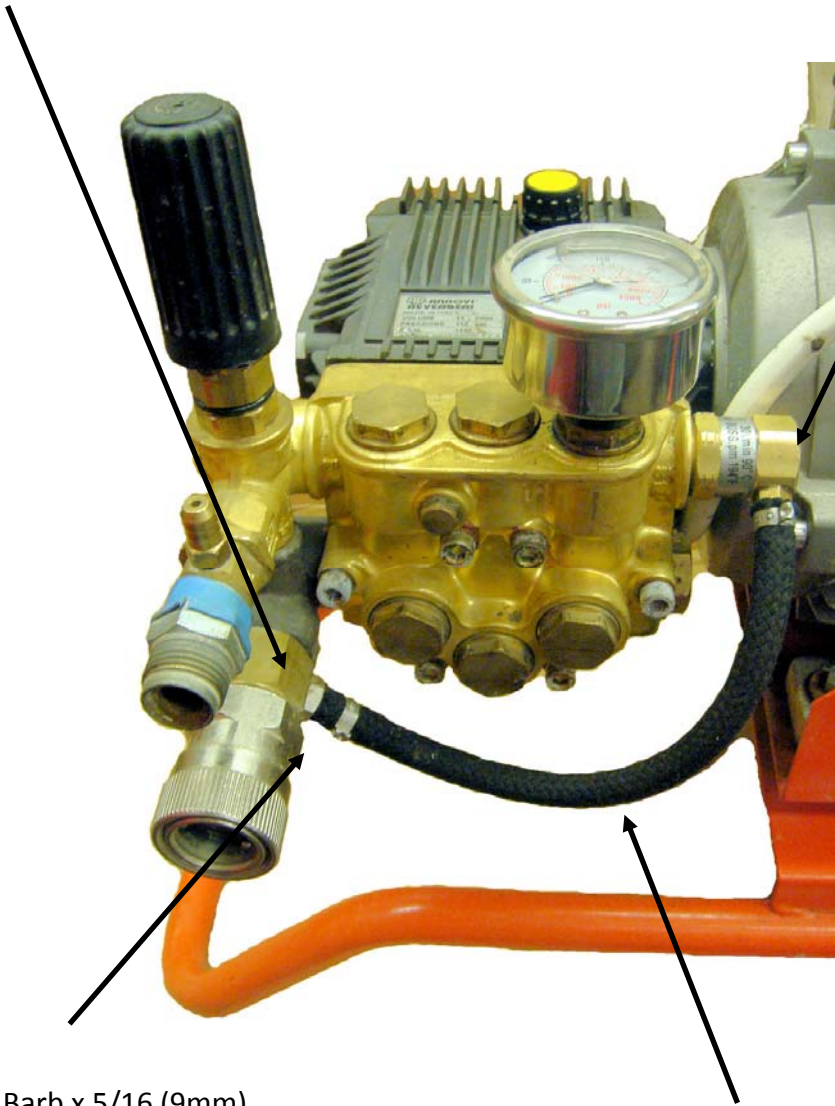


Detergent Pipe	DEM10115
Plug 13amp	DEM10180
Contactora 30amp 110V	DEM10111
Mini Contactora 16amp 240V	DEM10125
L/P Inlet	MTM73001 Female Stepped Nipple
L/P Inlet	MTM73020 Male Nito
Capacitor 65mf	DEM10139
Easy Start to water Inlet Pipe	DEM10321

Demon Storm 1—Easy Start Valve

Blead off Part 1 MTM00100
Blead off Part 2 MTM00101

Easy Start Valve
MTM39001



1/8 Hose Barb x 5/16 (9mm)
DEM20401

Storm Easy Start to Water Inlet Pipe
DEM10321

Demon Storm Wallmounted Range—General Arrangement



Electrics Box DEM101111



Pump
ARXT11-14 (WM1)
ARXR15-20H (WM4)

Step by Step Operating Manual Demon Storm Wallmounted P1 of 1

How to start the Storm Wallmounted



1



Open over by removing fastening bolts using 8mm spanner or socket

2



Check pump oil using dipstick and replenish as required.

3



Close lid and refasten bolts.

4



Ensure water supply and power are both on.

5



Ensure hose pressure is connected to lance.

6



Push button to start and begin to operate.

7



To stop machine push button.

8



Release any pressure in hose by squeezing trigger.

Demon Storm Free Standing Range—General Arrangement



Electrics Box



Pump
ARXT11-14 (WM1)
ARXR15-20H (WM4)

Step by Step Operating Manual Demon Storm Freestanding P1 of 1

How to start the Storm Freestanding



1



Open lid and check pump oil – replenishing accordingly.

2



Visually inspect there is water in the machine and that the mains water is switched on.

3



Close lid and switch on to operate.

4



When finished switch 'off'.

NB – The Storm Freestanding is designed to be hardwired to mains to ensure that when they are not in use the thermostat will switch on in cold weather to prevent freezing.

If these machines are not connected to mains permanently they are at risk of damage in adverse weather.

The thermostat is set to 5°. In cold weather check that the tubular heater is on by holding hand above to feel heat.

Demon Storm Twin Cabinet Washer



Demon Storm Twin Cabinet Washer



ON/OFF SWITCH

N.B. If there is no water in the machine a light will still indicate power but will not be operational. CHECK WATER

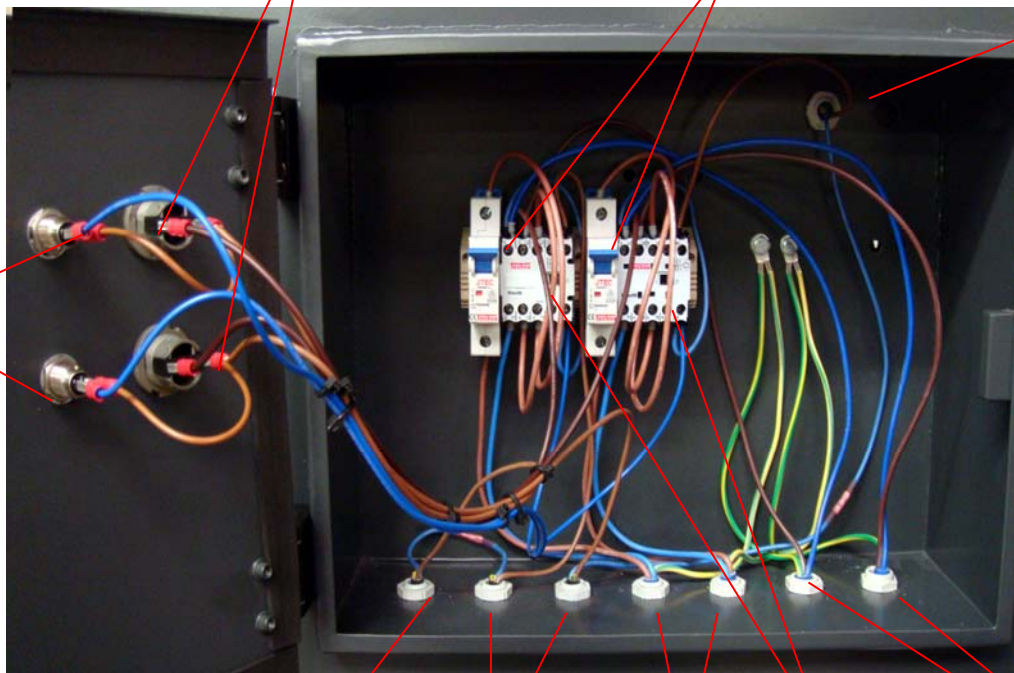
LED To indicate power in the machine

Rotary Switch

13 Amp MCB

Hi Float Low Water Sensor

LED'S



H Float Low water sensor

TSS Unloader Valve Supply

Motor Supply

240V Mini Contactor

Mains Supply

WARRANTY

This warranty covers the cost of all replacement parts and labour charges incurred. It does not cover the cost of transport or carriage. It is the owners responsibility to return the machine to a service depot or pay the travelling expenses of a service engineer to attend. Demon International's decision in warranty matters is final and binding.

Demon International Ltd undertake to repair or replace, any component which may fail due to a manufacturing fault within a period of 12 months from the date of purchase, provided that any fault or damage was not sustained by;

- A. Lack of regular and proper maintenance, user negligence, misuse, or damage caused by ice and frost.
- B. The effects of contaminated fuel or water, the use of non-approved chemicals or an insufficient or unsuitable electrical supply.
- C. The effects of un-authorized modification and use.
- D. Compression damage to high pressure hose.(HOSES WARRANTED FOR 1 MONTH ONLY)
- E. Worn out items considered fair wear and tear.

Parts which may or may not wear out during the first year and which are considered service items which will need replacing from time to time: High pressure nozzle, lance, trigger, hoses, fuel nozzle, fuel filter, piston seals, valves, unloader seats and seals, water filter, non-return valve, chemical barbs, chemical pipes and pump oil seals.

It is the owners responsibility to ensure the Pressure Washer is kept in a safe and suitable environment and any faults reported by operatives to be rectified at the earliest possible date.

It is the operators responsibility to check the Pressure Washer for any faults and report them immediately. The Pressure Washer must be used in accordance with the manufacturers specifications and guidelines.

Demon International Ltd undertake to use the highest quality components available during manufacture, but cannot be held responsible for any undue consequence arising from the use of there Pressure Washer.

This warranty is given to the original purchaser only and is not transferable without the fully authorised and written consent of Demon International Ltd.

Warranty Procedure

End Users

If your machine develops a problem:

1. Phone Demon for advice with the model and serial number to hand.
2. Describe fully the problem as best you can.
3. If the problem cannot be resolved over the phone then the machine can be booked in for repair and if the faults are covered by the warranty the repair will be carried out free of charge.
4. If you cannot bring the machine in for repair then we will despatch an engineer. If the fault is covered by the warranty then we will not charge for labour or spares used, however the transport charge will be payable whether or not the repair is warranty.

Hire Centres and Dealers

If your machine develops a problem:

1. Phone Demon for advice with the model and serial number to hand.
2. Describe fully the problem.
3. We will advise you on the best course of action, however if parts are required you must raise a purchase order number to cover the parts. When the parts are fitted they must be returned for examination before a credit note is issued.
4. If you are unable to repair the machine then we will despatch an engineer to carry out the repair. We will need a purchase order to cover the cost of transport to and from the site and for parts and labour if the repair is not covered under the warranty.
5. If required Demon will arrange for a carrier to collect a damaged machine, if the warranty claim is valid we will pay this cost, if not it will be charged to the customer.
6. For parts warranty ring Demon and request a warranty claim form faxed to you. This form must accompany any returned parts.

Notes:

You will not invalidate the warranty by investigating faults and repairing them yourself providing you follow our advice. Hire Centres and Dealers are expected to carry out all repairs themselves with Demon crediting faulty parts upon receipt and inspection.

Spare parts fitted to machines are guaranteed for 1 month only or the remainder of the warranty period whichever is longer.



Nozzles - you can't get pressure without one!

How do I know which nozzle I have?

Look at this part of the nozzle and it will have a four or five digit number which gives the angle of spray as the first two digits. The next two or three numbers are the size. (i.e. 25045 is 25° spray angle with 045 size aperture.)



Pressure starts and ends at the nozzle. The volume of water pushed down the hose and forced through the small hole determines the pressure on the gauge. Try taking the nozzle out and then pulling the trigger. You get virtually no pressure registering on the gauge.

The golden rule when diagnosing a loss of pressure is **to start at the nozzle** and work back to the pump. Example: a new Typhoon is delivered to your branch and is left in the workshop for a few days until a hire comes up. The lance gets pinched to go out with one of your other pressure washers so you search around for something to use and find a lance that will do. Unfortunately it came from a petrol pressure washer and now the Typhoon will only do 1500psi. It must be Demon's fault. Get them to dash out and sort it out, must be warranty! No its the nozzle. An 055 fitted to a petrol pressure washer will only give 1500psi when used on a Typhoon. (This has happened!)

Example: I can't check that the right nozzle is fitted because the numbers are worn away. If you can't read the number then the nozzle is old a probably worn out. Fit a new one and see what pressure you get. (All the lances are now colour coded)

Model	Flow	Pressure	Nozzle	Colour
Storm 1 & 2	11 litres	1500 psi	25045	Blue
Storm Freestanding/ Wallmounted 1	11 litres	1500 psi	25045	Blue
Storm Freestanding/ Wallmounted 4	15 litres	2900 psi	2505	Red
Storm 500	15 litres	7000 psi	2505	Red
Tempest 1 & 3 Auto inc Cabinet	11 litres	1500 psi	25045	Blue
Tempest 4 Auto inc Cabinet	15 litres	2900 psi	2505	Red
Hurricane P1	11 litres	1500 psi	25045	Blue
Tornado & Hurricane P2	13 litres	2200 psi	25045	Blue
Tornado & Hurricane P4 & D1ES	15 litres	2900 psi	2505	Red
Mini-Bowser P1	11 Litres	1500 psi	25045	Blue
Mini-Bowser P2	13 Litres	2200 psi	25045	Blue
Typhoon 1, 2, P4 & Evolution Models	15 litres	2900 psi	2505	Red

Demon Technical Support 01752 - 690690

Lance and Machine Colour Codes

Part Number	Description	Storm	Wall Mounted	Hurricane	Tempest Inc Cabinet	Typhoon	Evolution	Tomado & Mini-Bowser
DEM10031B	Cold Water Lance 045 Blue	Storm 1 & 2, FS1	WM1	P1 & P2	N/A	N/A	N/A	P1 & P2
DEM10031R	Cold Water Lance 05 Red	FS4	WM4	P4 & D1	N/A	N/A	N/A	P4 & D1
DEM10032B	Hot Water Lance 045 Blue	N/A	N/A	N/A	Tempest 1, 3 & 4 (13.17 pump)	N/A	N/A	N/A
DEM10032R	Hot Water Lance 05 Red	N/A	N/A	N/A	Tempest 4 (15.20 Pump)	Typhoon 1, 2 & P4	Evo1 & Evo 2	N/A



I can't get the pressure to where it used to be – where do I start?



Well by now you should know to check the nozzle - assuming that is correct and you still have no or low pressure the golden rule is to connect the pump to the mains water supply - whichever machine you are testing start with a good mains feed.

1. With the gun and lance connected turn the tap on - can you see a leak? If so there is your problem, if water can leak out air can get in and the pump won't produce pressure - simple as that. (Leaks from underneath the pump are either worn seals or a cracked piston - strip to find out which.)

Remedy: Fix leak or replace seals or piston.

2. Check enough flow of water can get into the pump. Make sure all the filters are clean. The new Tempest hot water machines have a fine filter which will remove most solids. All Demon machines are now double filtered. Have you checked both of them?

Remedy: Strip and inspect filters.

3. There are no leak's what next? With the pump switched off pull the trigger, water will spray out. Keeping the trigger pulled switch the pump on, if the water spray does not improve the valves are the fault. Either worn out or dirty. Strip and inspect. (The high pressure hose will also vibrate on the ground.)

Remedy: Replace or clean valves.

4. The valves are OK there are no leaks but it still won't get up to pressure – what next? The unloader valve piston and seat are damaged or worn allowing some of the water to circulate around the cylinder head - strip and inspect, you will see any damage.

Remedy: Strip unloader and inspect - replace damaged parts.

5. My cold water pressure washer does not feel as powerful as it used to be but the pressure gauge shows the correct pressure. What causes this? The chemical pick-up has a nozzle of 1.8mm or 2.0mm size and can get partially blocked. This will allow some but not all of the water to flow to the lance.

Remedy: Strip and remove the blockage.

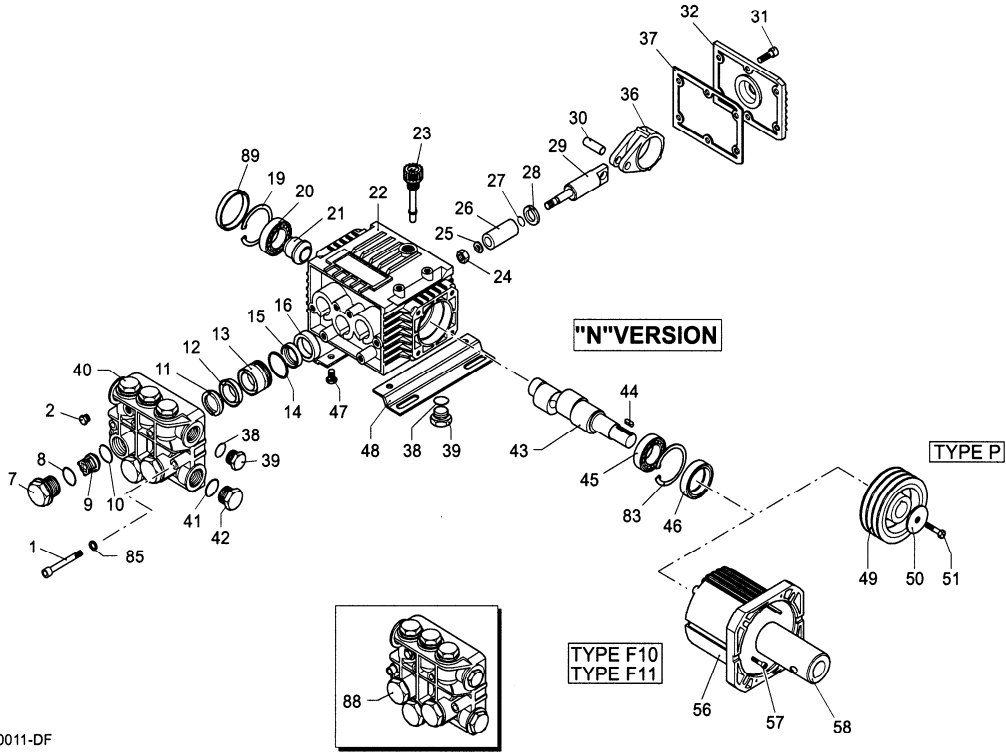
6. The pressure remains high even when I let go of the trigger and the engine or motor is struggling or stalling. The non- return valve in the unloader is damaged or jammed.

Remedy: Strip and clean or replace.

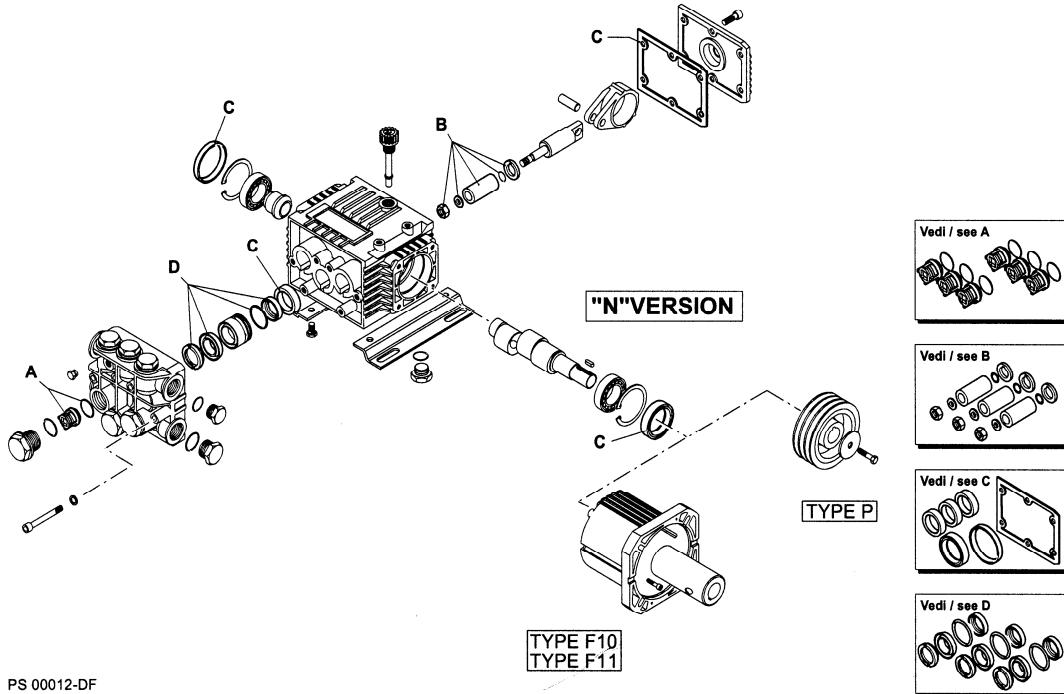
Demon Technical Support 01752 - 690690

XT

VERSION N 1450 RPM



KIT RICAMBI / PART KITS



XT 1450							
Pos	Code No	Description	Qty	Pos	Code No	Description	Qty
1	AR680570	Screw	6	40	AR1320020	Pump Head	1
2	AR620301	Plug	1	41	AR180101	O Ring	1
7	AR1260162	Plug	6	42	AR820361	Plug	1
8	AR960160	O Ring	6	43	AR1260200	Crankshaft	1
9	AR1269050	Complete Valve	6	43	AR1320260	Crankshaft	1
10	AR880830	O Ring	6	44	AR1380520	Key	1
11	AR1320340	Support Ring	3	45	AR1320370	Bearing	1
12	AR1260220	Gasket	3	46	AR1260750	Seal	1
13	AR1320351	Piston Guide	3	47	AR1260470	Screw	4
14	AR1260420	O Ring	3	48	AR1263890	Base	2
15	AR1260450	Gasket	3	83	AR1260790	Circlip	1
16	AR1260460	Seal	3	85	AR1381550	Washer	6
19	AR1260790	Circlip	1	88	AR1269222	Pump Head pre-ass	1
20	AR1320370	Bearing	1	89	AR1266740	Cap	1
21	AR1320330	Bushing	1				
22	AR1320010	Pump Housing	1				
23	AR880130	Oil Plug	1				
24	AR1260110	Nut	3				
25	AR1260100	Washer	3				
26	AR1260210	Piston	3				
27	AR480480	O Ring	3				
28	AR1260091	Spacer	3				
29	AR1260070	Guiding Piston	3				
30	AR1260080	Piston Pin	3				
31	AR1260760	Screw	6				
32	AR1269101	Complete Cover	1				
32	AR1320910	Complete Cover	1				
36	AR1260060	Con Road	3				
36	AR1320140	Con Road	3				
37	AR1260040	Gasket	1				
38	AR740290	O Ring	2				
39	AR1980740	Plug	2				

ARKIT1864		ARKIT2629		ARKIT1872	
Valve Kit		Piston Kit		Oil Seal Kit	
Pos	Qty	Pos	Qty	Pos	Qty
9	6	24	3	16	3
10	6	25	3	37	1
		26	3	46	1
		27	3	89	1
		28	3		

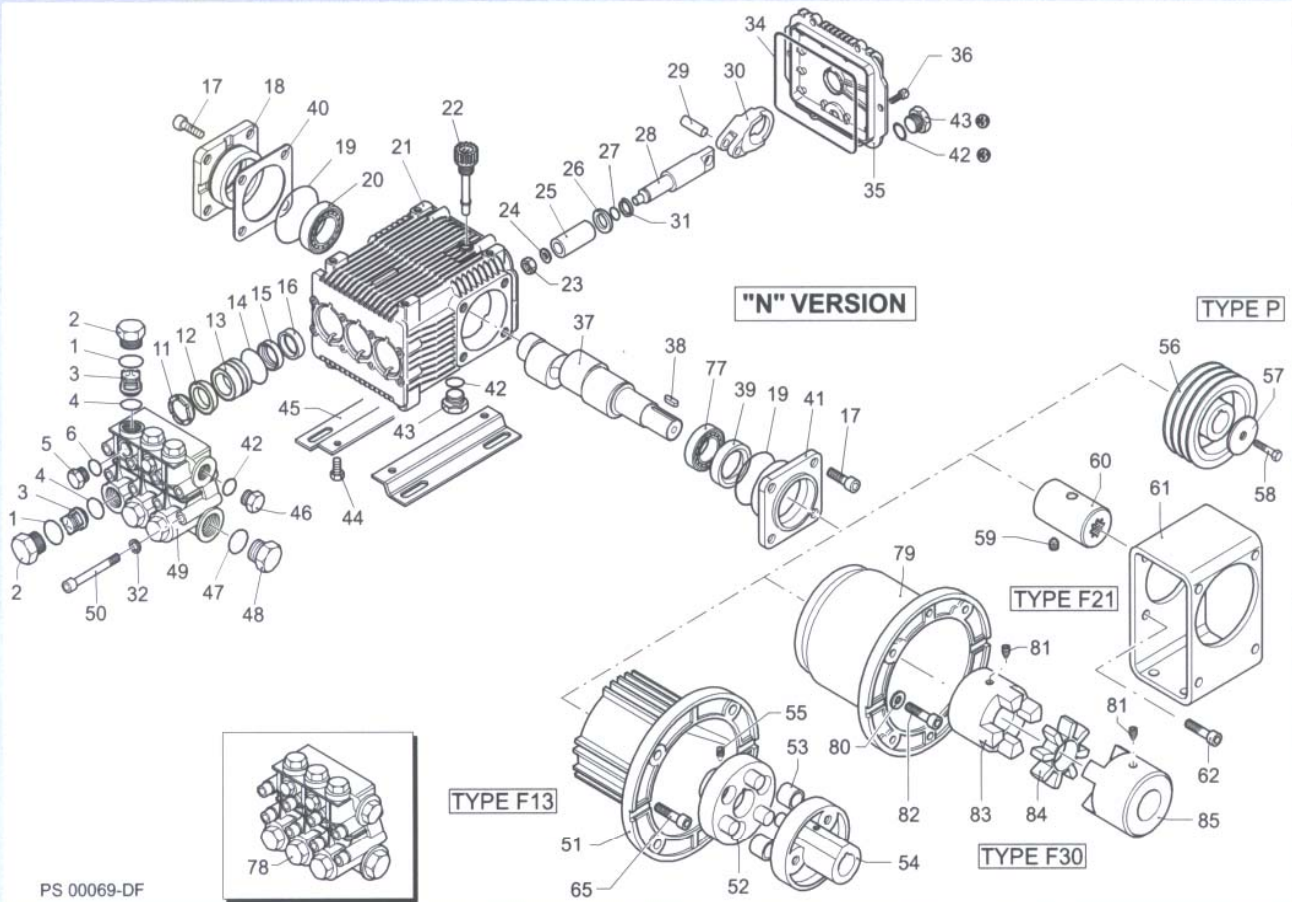
ARKIT1874	
Water Seals	
11	3
12	3
14	3
15	3

RK

VERSION

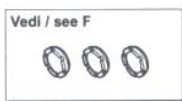
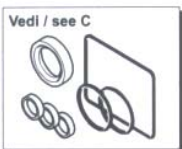
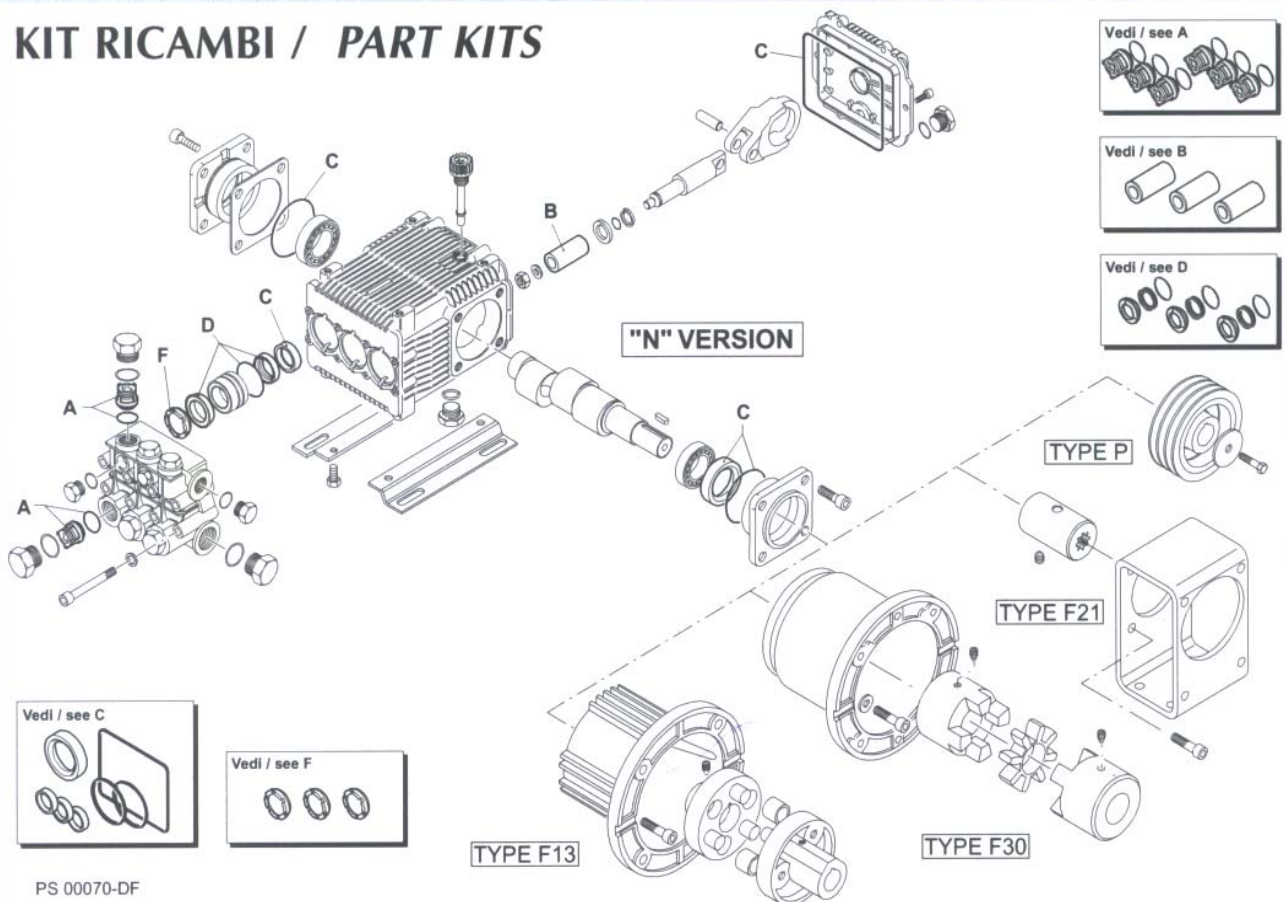
N 1450

RPM



PS 00069-DF

KIT RICAMBI / PART KITS



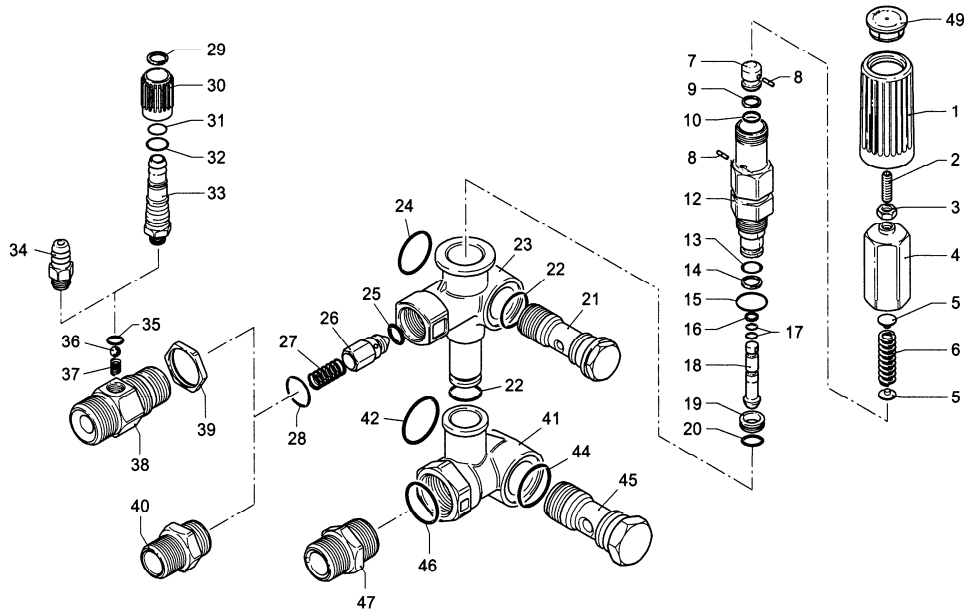
PS 00070-DF

RK MODEL: RK 13-17 / RK 15-20H / RK21-15							
Pos	Part No	Description	Qty	Pos	Part No	Description	Qty
1	AR960160	O Ring	6	36	AR1343510	Screw	6
2	AR960090	Plug	6	40	AR1380120	0.10mm shim	1÷3
2	AR1380740	Plug	6	40	AR1380130	0.20mm shim	1÷3
3	AR1389051	Complete Valve	6	40	AR1380530	0.25mm shim	1÷3
4	AR880830	O Ring	6	40	AR1382810	0.05mm shim	1÷3
5	AR880581	Plug	2	42	AR740290	O ring	3
6	AR820510	O Ring	2	43	AR1980740	³ / ₈ G plug	2
11	AR960110	Support Ring	3	44	AR1260470	Screw	4
12	AR880320	Gasket	3	45	AR1380141	Base	2
13	AR1380090	Piston Guide	3	46	AR1980740	³ / ₈ G Plug	1
14	AR961240	O Ring	3	46	AR1981180	³ / ₈ G Plug	1
15	AR880330	Gasket	3	47	AR180101	O Ring	1
16	AR138130	Seal	3	48	AR820361	Plug	1
17	AR850370	Screw	8	48	AR960870	Plug	1
18	AR1380050	Closed Bearing sup	1	49	AR1381070	Pump head	1
19	AR640030	O Ring	1	50	AR820150	Screw	8
20	AR2280240	Bearing	1	60	AR1380320	Bearing	1
21	AR1382770	Pump Housing	1	61	AR621170	Seal	1
22	AR880130	Oil Cap	1	62	AR1380220	O Ring	1
23	AR962010	Nut	3	63	AR1380210	Shaft cover	1
24	AR962000	Washer	3	66	AR2280180	Hollow Shaft 28mm	1
24	AR1380940	Ceramic Piston	3	66	AR2280170	Hollow Shaft 028mm	1
26	AR1380950	Spacer	3	66	AR2280160	Hollow Shaft 028mm	1
27	AR600180	O ring	3	66	AR2280150	Hollow Shaft 028mm	1
28	AR1380920	Guiding Piston	3	67	AR1380370	El Motor flange	1
29	AR1380060	Piston Pin	3	76	AR620610	Screw	4
30	AR1383050	Aluminium con-rod	3	78	AR1389272	Pump head Ass	1
31	AR1080401	Ring	3	86	AR1260250	Oil Indicator	1
32	AR1381850	Washer	8	87	AR1260430	Snap Ring	1
34	AR1780510	O Ring	1	88	AR1780690	Disc	1
35	AR1789010	Complete cover	1	89	AR1140450	O Ring	1

Valve Kit		Piston Kit		Oil Seal Kit	
ARKIT1828		ARKIT2757		ARKIT1856	
Pos	Qty	Pos	Qty	Pos	Qty
3	6	25	3	16	3
4	6			19	1
				34	1
				61	1
				62	1

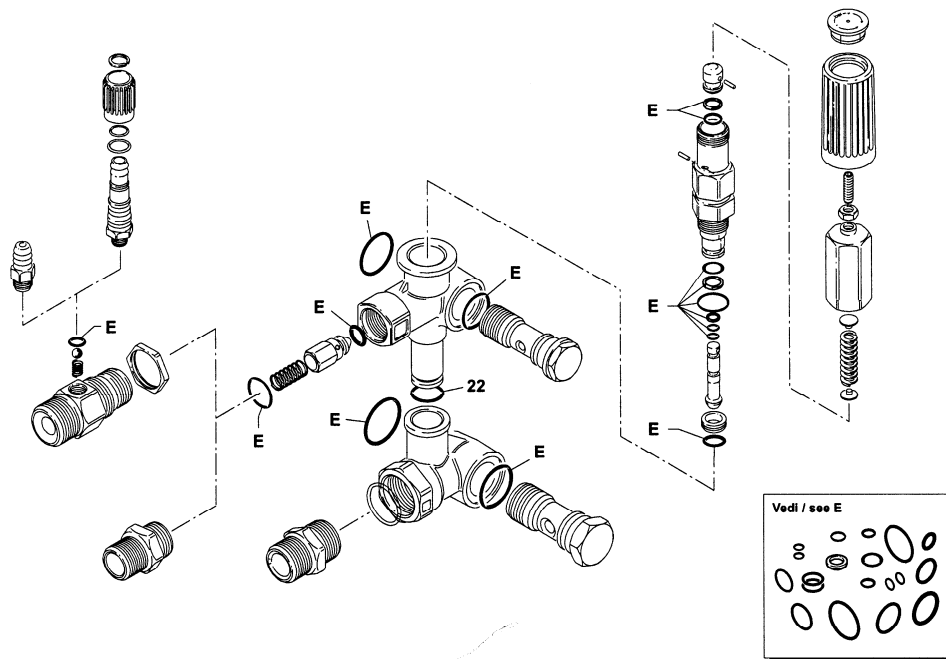
Water Seal		Support Ring	
ARKIT1857		ARKIT1829	
Pos	Qty	Pos	Qty
12	3	11	3
14	3		
15	3		

MINIMATIC 4/B



UN000186-HF

KIT RICAMBI / PART KITS



UN000187-HF

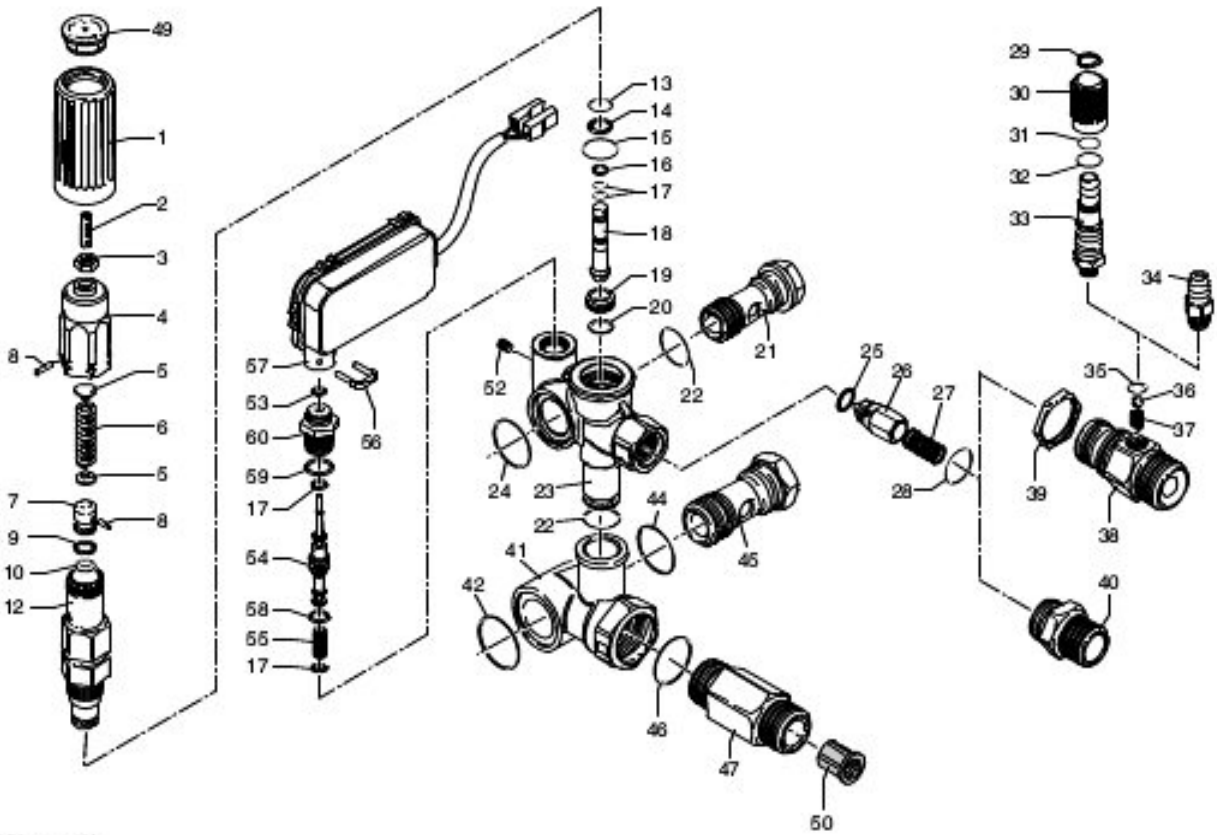
MINIMATIC 4/B

Pos	Part No	Description	Qty	Pos	Part No	Description	Qty
1	AR1981780	Handle	1	40	AR1540180	Adaptor ³ / ₈ G	1
2	AR1540560	Grub	1	40	AR1540500	Adaptor ³ / ₈ NPT	1
3	AR1980300	Nut	1	41	AR1540280	By pass housing	1
4	AR1980390	Knob Insert	1	41	AR1540480	By pass housing	1
5	AR1980220	Spring Plate	2	42	AR1540630	O Ring	1
6	AR1271070	Spring	1	44	AR880270	O Ring	1
7	AR1080041	Upper Piston	1	45	AR1540260	Thread Screw	1
8	AR1080070	Pin	2	46	AR480440	O Ring	1
9	AR1080401	Back up Pin	1	47	AR1540050	Fitting	1
10	AR1080250	O ring	1	49	AR1981770	Knob Plug	1
12	AR1980210	Piston Guide	1				
13	AR740290	O Ring	1				
14	AR800560	O Ring	1				
15	AR880830	O Ring	1				
16	AR1271170	Back up Ring	1				
17	AR1080190	O Ring	2				
18	AR1271160	Lower Piston	1				
19	AR1980200	Valve Seat	1				
20	AR1470210	O Ring	1				
21	AR1540270	Thread Screw	1				
21	AR1540430	Thread Screw	1				
22	AR390080	O Ring	2				
23	AR1540510	Valve housing	1				
24	AR1140450	O Ring	1				
25	AR1460430	O Ring	1				
26	AR1540170	Jet	1				
27	AR1080091	Spring	1				
28	AR394280	O Ring	1				
29	AR1560660	Ring	1				
30	AR1560680	Detergent Reg Knob	1				
31	AR480560	O Ring	1				
32	AR800560	O Ring	1				
33	AR1560650	Hose tail	1				
34	AR1560490	Hose tail	1				
35	AR480480	O Ring	1				
36	AR1250280	Ball	1				
37	AR1560520	Spring	1				
38	AR1540580	Fitting ³ / ₈ /G	1				
39	AR1540300	Nut	1				

ARKIT 2812

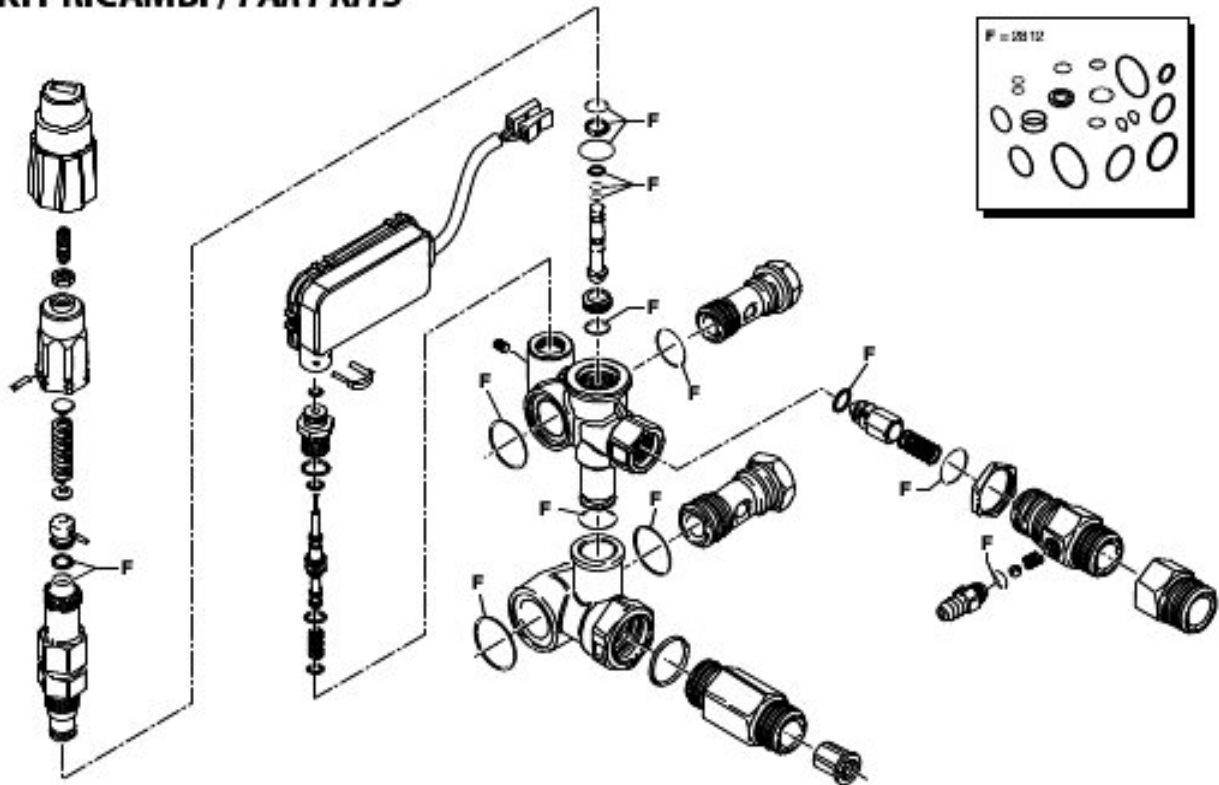
Pos	Qty	Pos	Qty	Pos	Qty
9	1	17	2	35	1
10	1	20	1	42	1
13	1	22	2	44	1
14	1	24	1		
15	1	25	1		
16	1	28	1		

MINIMATIC 4/B TSS



UN002257-4A

KIT RICAMBI / PART KITS



UN002258-4A

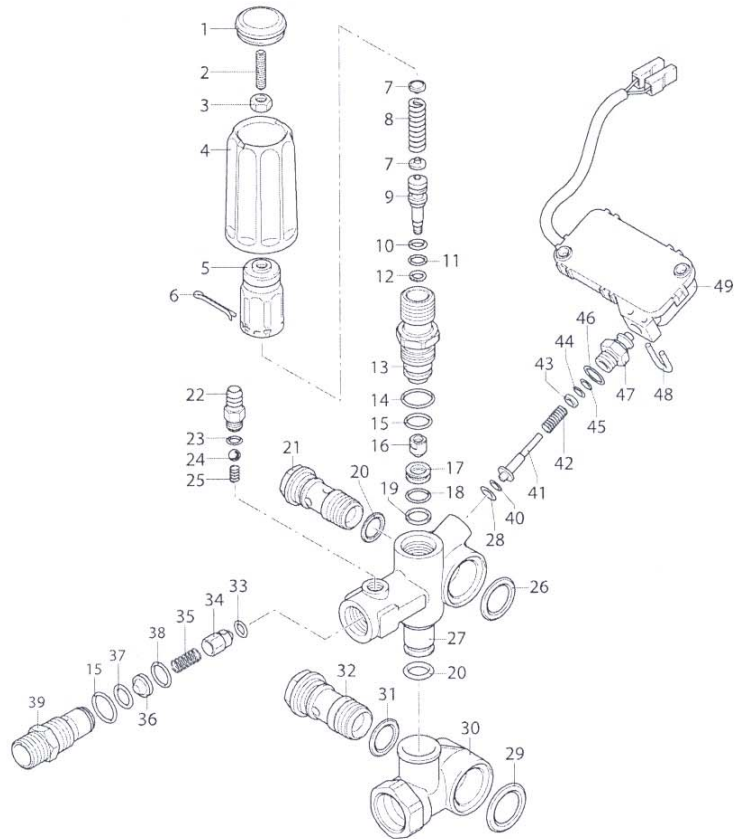
MINIMATIC 4/B TSS							
Pos	Part No	Description	Qty	Pos	Part No	Description	Qty
1	AR1981780	Knob extension	1	40	AR1540180	Adaptor ³ / ₈ G	1
2	AR392840	Grub screw	1	40	AR1540500	Adaptor ³ / ₈ NPT	1
3	AR1980300	Nut	1	41	AR1540280	By pass housing	1
4	AR2500400	Knob insert	1	42	AR1540630	O RING	1
5	AR1980220	Spring plate	2	44	AR880270	O RING	1
6	AR1271070	Spring	1	45	AR1540260	Screw	1
7	AR1080041	Upper piston	1	46	AR480440	O ring	1
8	AR1080070	Pin	2	47	AR1560600	Suction fitting	1
9	AR1080401	Back Up Ring	1	49	AR1981770	Knob plug	1
10	AR1080250	O Ring	1	50	AR1340260	Water suction filter	1
12	AR1980210	Piston Guide	1	52	AR1981190	Grub screw	1
13	AR740290	O ring	1	53	AR1260820	O ring	1
14	AR800560	O ring	1	54	AR1540880	TSS piston	1
15	AR880830	O ring	1	55	AR1981320	Spring	1
16	AR1271170	Back up ring	1	56	AR2022200	Clip	1
17	AR1080190	O ring	2	57	AR2029753	TSS assembly	1
18	AR1271160	Lower piston	1	58	AR660190	O ring	1
19	AR1980200	Valve seat	1	59	AR880840	O ring	1
20	AR1470210	O ring	1	60	AR1540870	TSS fitting	1
21	AR1540270	Thread screw	1				
22	AR390080	O ring	2				
23	AR1540660	Valve housing	1				
24	AR1140450	O ring	1				
25	AR1460430	O ring	1				
26	AR1540170	Jet	1				
27	AR1080091	Ball Spring	1				
28	AR394280	O ring	1				
29	AR1560660	Ring	1				
30	AR1560680	Detergent reg knob	1				
31	AR480560	O ring	1				
32	AR800560	O ring	1				
33	AR1560650	Hose tail	1				
34	AR1560490	Hose tail	1				
35	AR480480	O ring	1				
36	AR1250280	Ball	1				
37	AR1560520	Spring	1				
38	AR1540580	Fitting ³ / ₈ G	1				
39	AR1540300	Nut	1				

ARKIT 2812					
O Rings					
Pos	Qty	Pos	Qty	Pos	Qty
9	1	17	2	35	1
10	1	20	1	42	1
13	1	22	2	44	1
14	1	24	1		
15	1	25	1		
16	1	28	1		

ARGM3

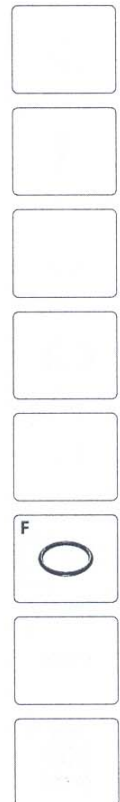
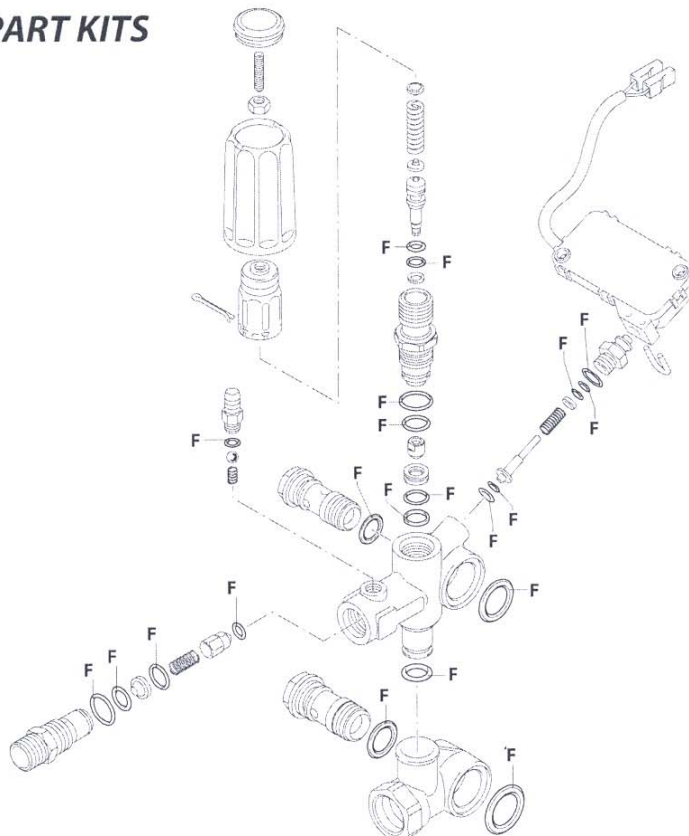
VRZ TSS + ID

200 bar



UN003611-AS

KIT RICAMBI / PART KITS



(37486/00)

UN003612-AS

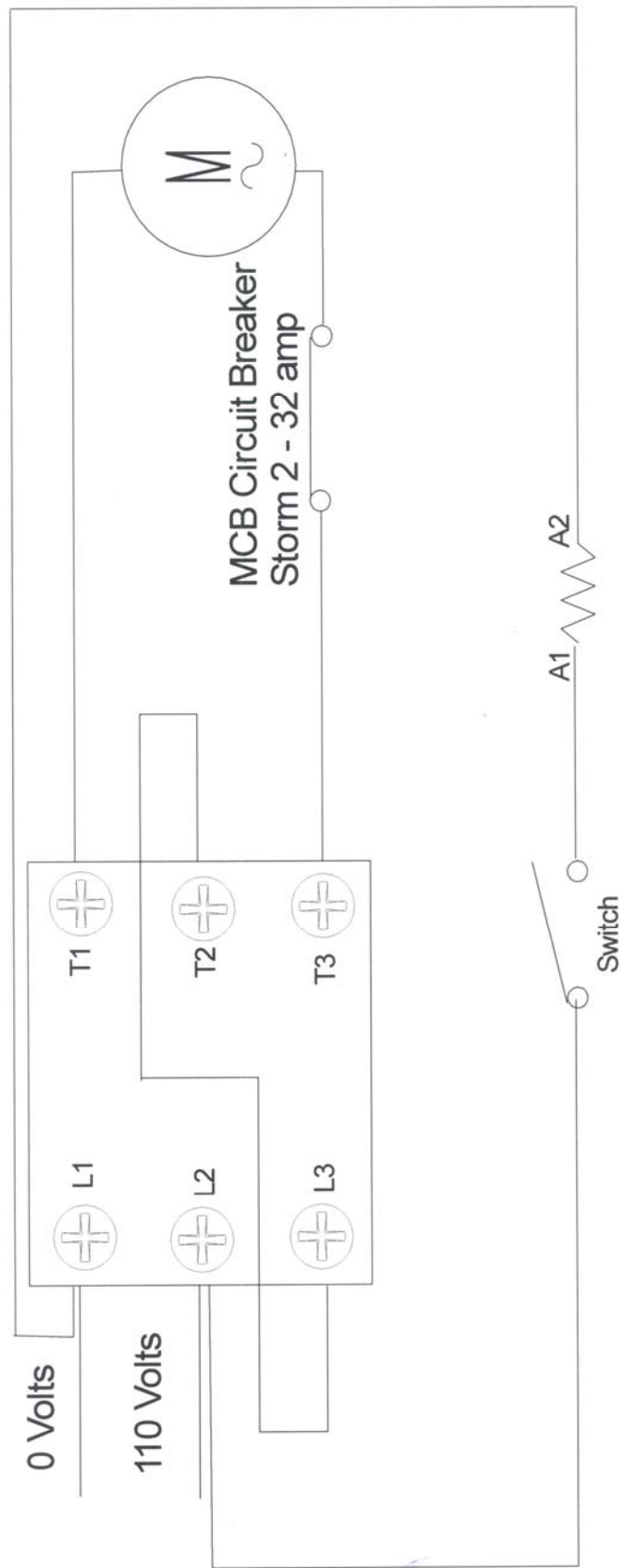
VRZ TSS

POS	Part No	Description	Qty	Pos	Part No	Description	Qty
1	AR3200500	Plug	1	40	AR2260480	Ring	1
2	AR2840970	Screw	1	41	AR2260470	Pin	1
3	AR1060120	Nut	1	42	AR2260460	Spring	1
4	AR3740030	Knob	1	43	AR2021650	Washer	1
5	AR2500540	Insert	1	44	AR1260821	O-ring	1
6	AR2500550	Split pin	1	45	AR3740050	Ring	1
7	AR1980220	Wobble plate	2	46	AR600180	O-ring	1
8	AR2760410	Spring	1	47	AR3740040	Fitting	1
9	AR2760400	Piston	1	48	AR2022201	Fork	1
10	AR2260100	O-ring	1	49	AR2029752	TSS box assembly	1
11	AR660190	O-ring	1	50	AR2029752A	Micro switch	1
12	AR2760210	Ring	1				
13	AR2760570	Guide	1				
14	AR1200690	O-ring	1				
15	AR394280	O-ring	5				
16	AR2260070	Shutter	1				
17	AR2760980	Seat	1				
18	AR770140	O-ring	1				
19	AR2760640	Ring	1				
20	AR390080	O-ring	2				
21	AR1540272	Screw	1				
22	AR1982520	Hose tail	1				
23	AR480480	O-ring	1				
24	AR1250280	Ball	1				
25	AR1560520	Spring	1				
26	AR2260190	O-ring	1				
27	AR3740010	Valve body	1				
28	AR1120681	O-ring	1				
29	AR1540630	O-ring	1				
30	AR3740020	Body	1				
31	AR880270	O-ring	1				
32	AR2260420	Screw	1				
33	AR2101770	O-ring	1				
34	AR2760131	Shutter	1				
35	AR2760200	Spring	1				
36	AR2760120	Insert	1				
37	AR1470210	O-ring	1				
38	AR2760270	O-ring	1				
39	AR2760230	Injector	1				

F= Kit42780 O-Rings					
Pos	Qty	Pos	Qty	Pos	Qty
10	1	23	2	38	1
11	1	26	1	44	1
14	1	28	1	45	1
15	5	29	1	46	1
18	1	31	1		
19	1	33	1		
20	2	37	1		

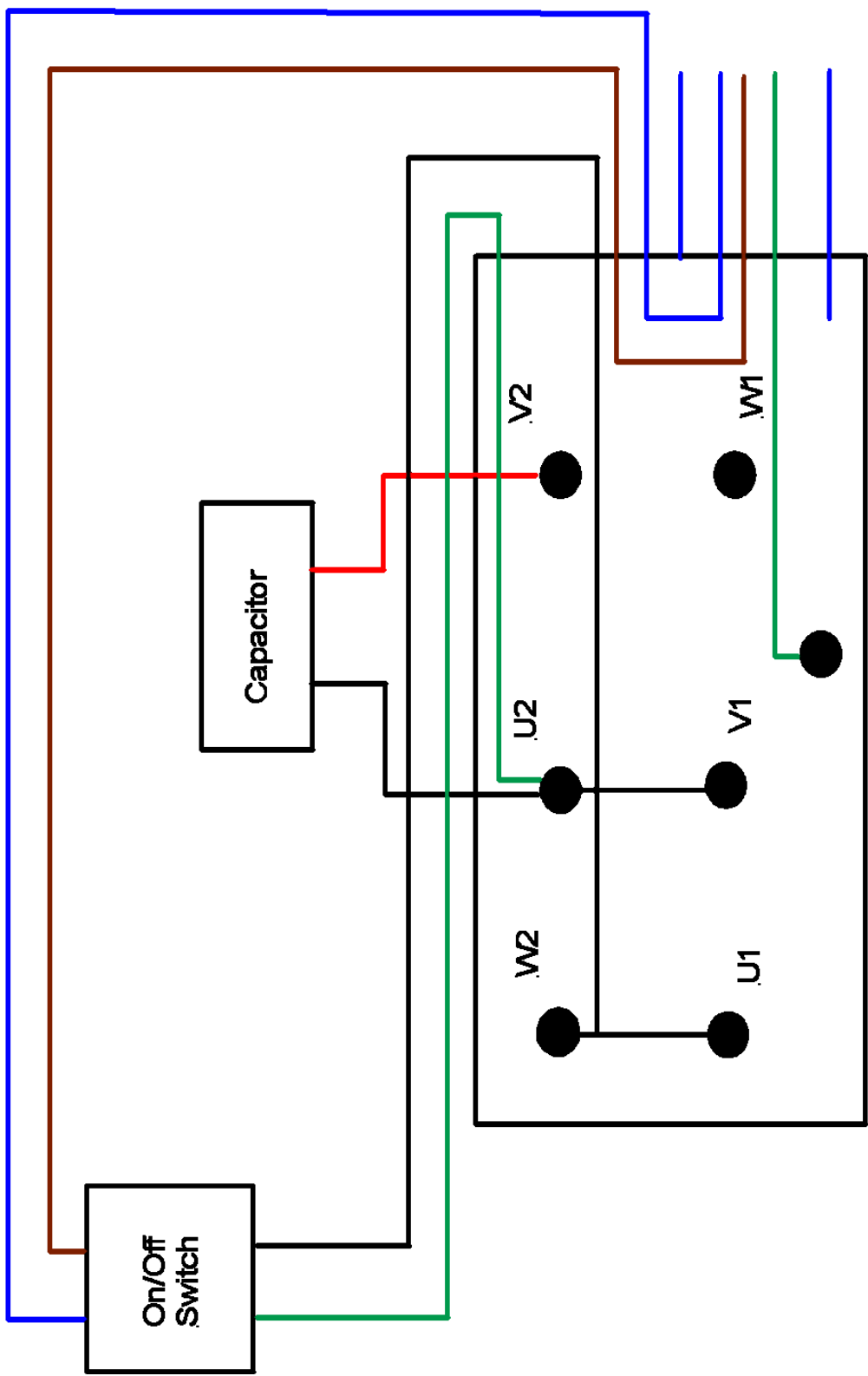
ARKIT 2223 VRZ Auto Repair Kit			
Pos	Qty	Pos	Qty
28	1	44	1
40	1	45	1
41	1	46	1
42	1	47	1
43	1	50	1

Storm 2 32 amp Contactor with 32 amp MCB

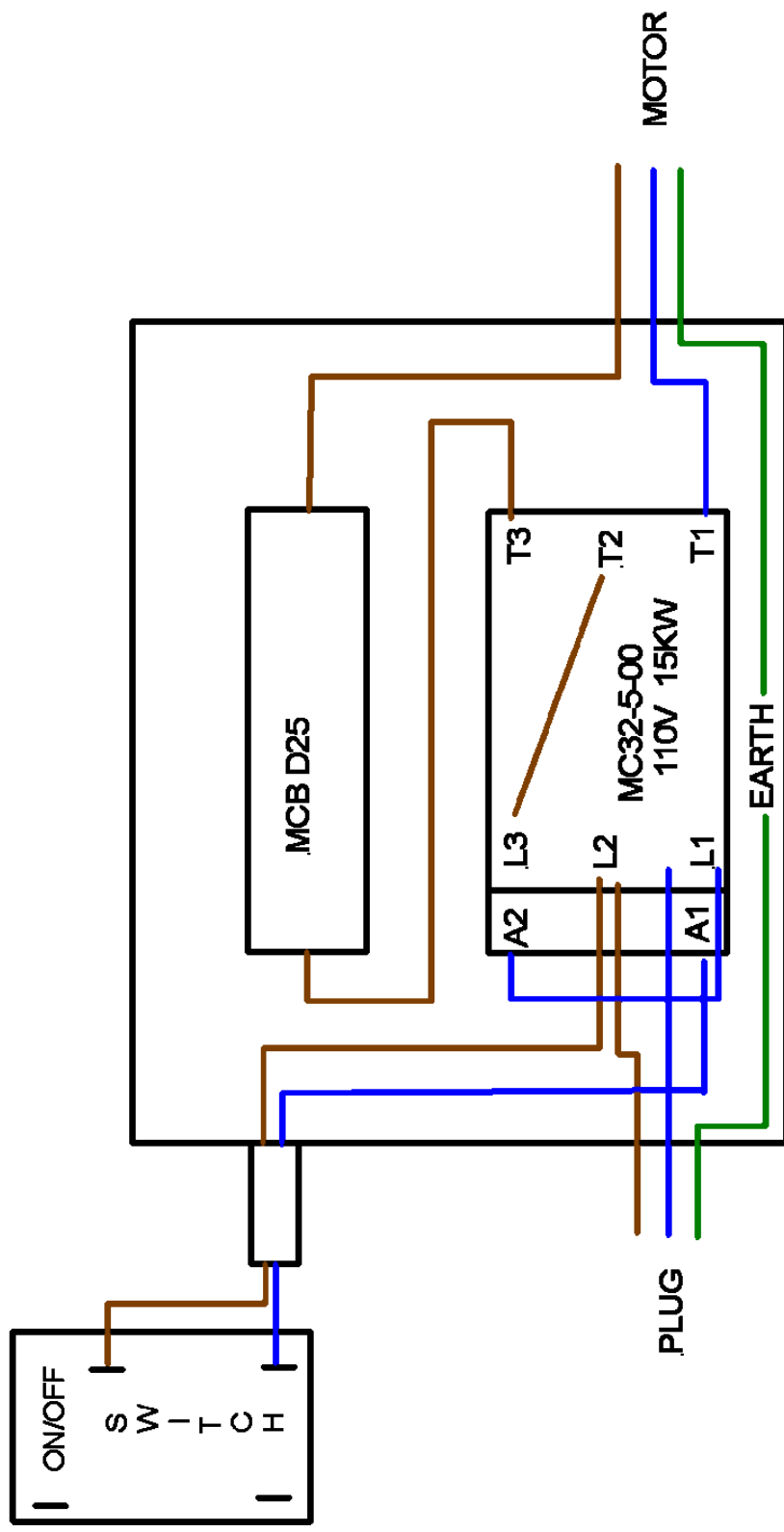


Part Numbers:
DEM10111 - Contactor 110V 32 Amp
DEM101252 - 32 Amp MCD "D"
KR411107 - Switch

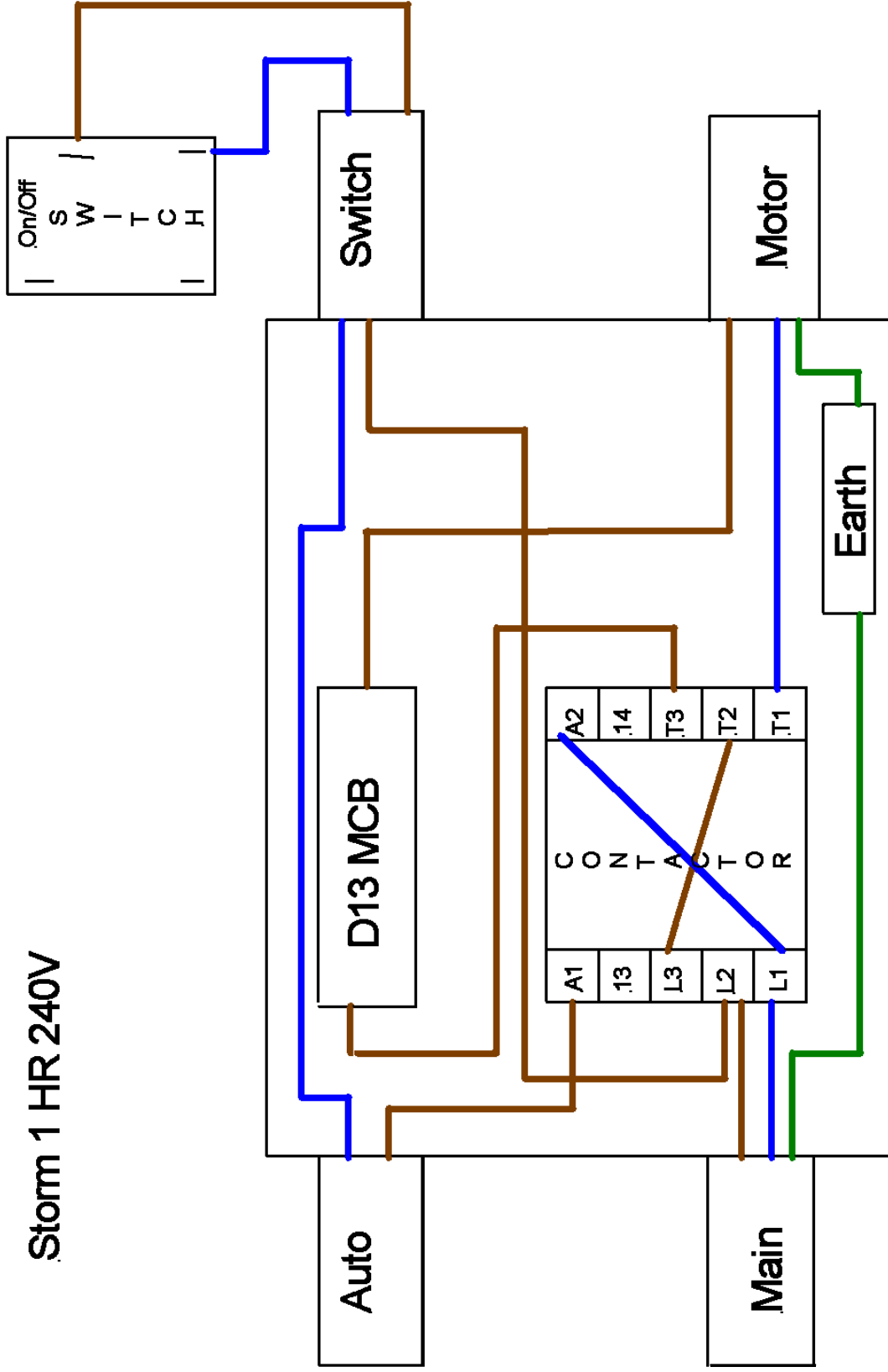
Storm 240V



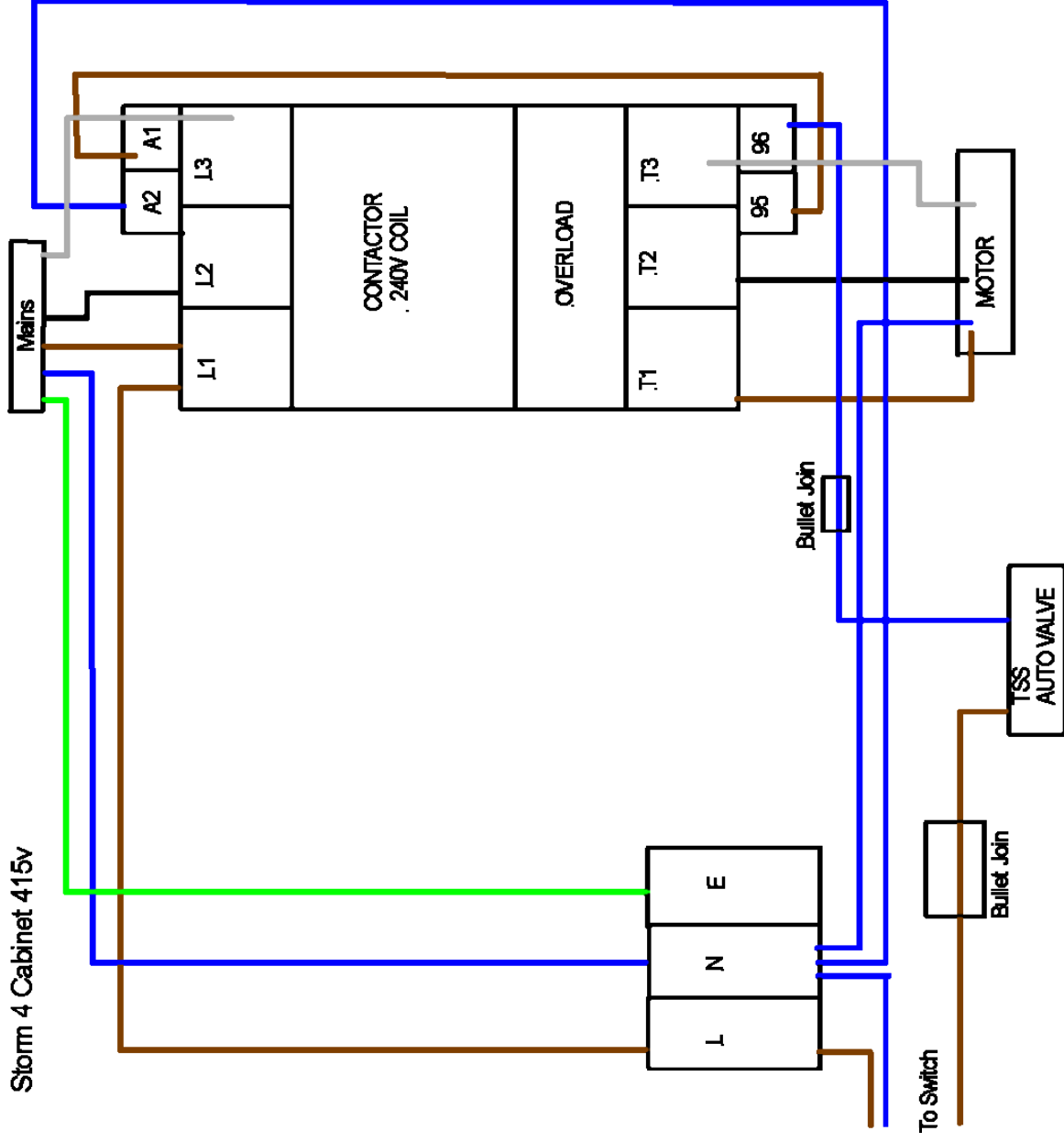
Storm 2 110V



Storm 1 HR 240V



Storm 4 Cabinet 415v



See Storm cabinet switch diagram for wiring of switches.

The low water tank sensor wiring is in series with the TSS.

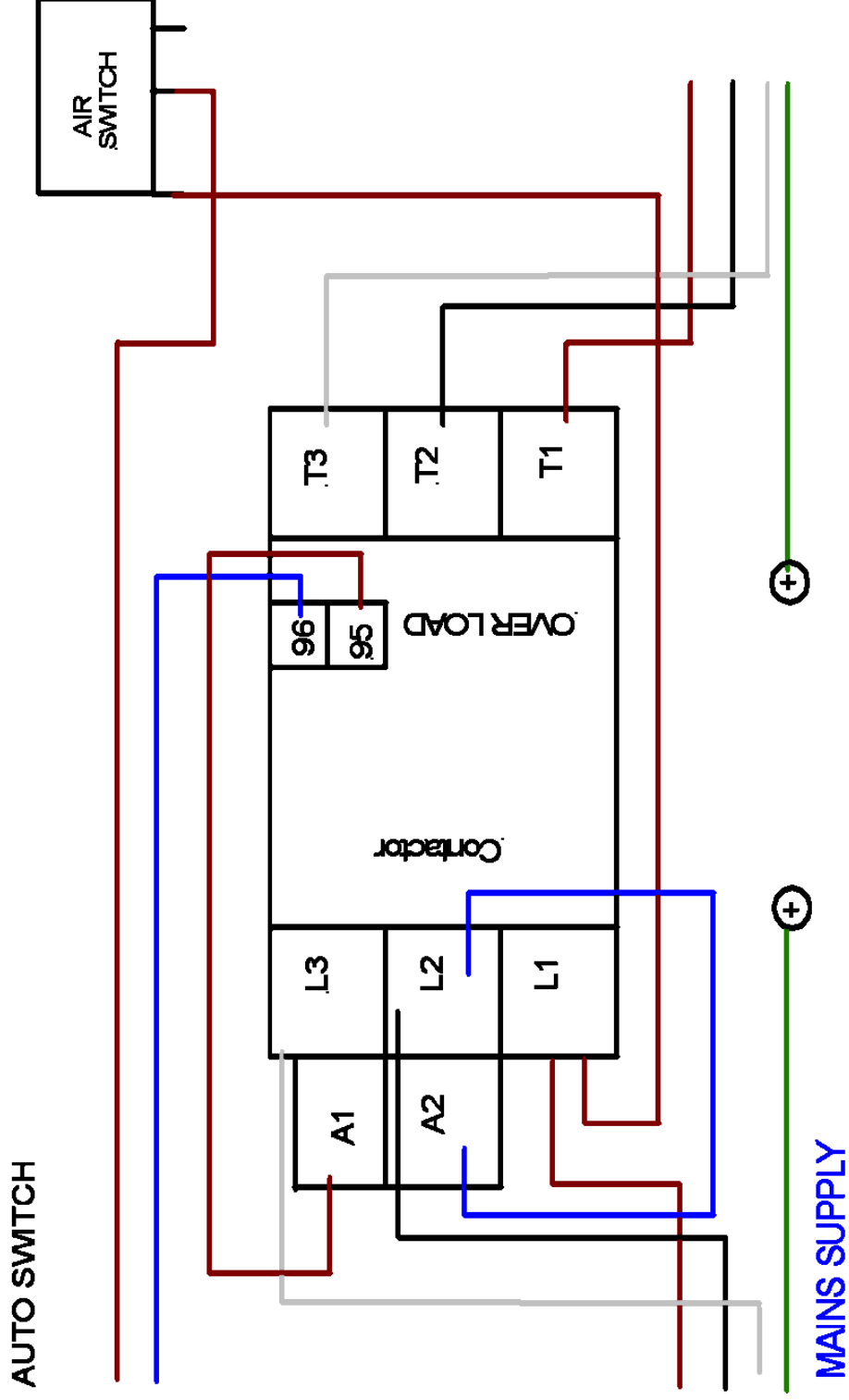
TSS & sensor blue joined.

Brown on TSS to 96.

Brown on low water sensor to switch.

Storm 4 and Wall Mounted 415v

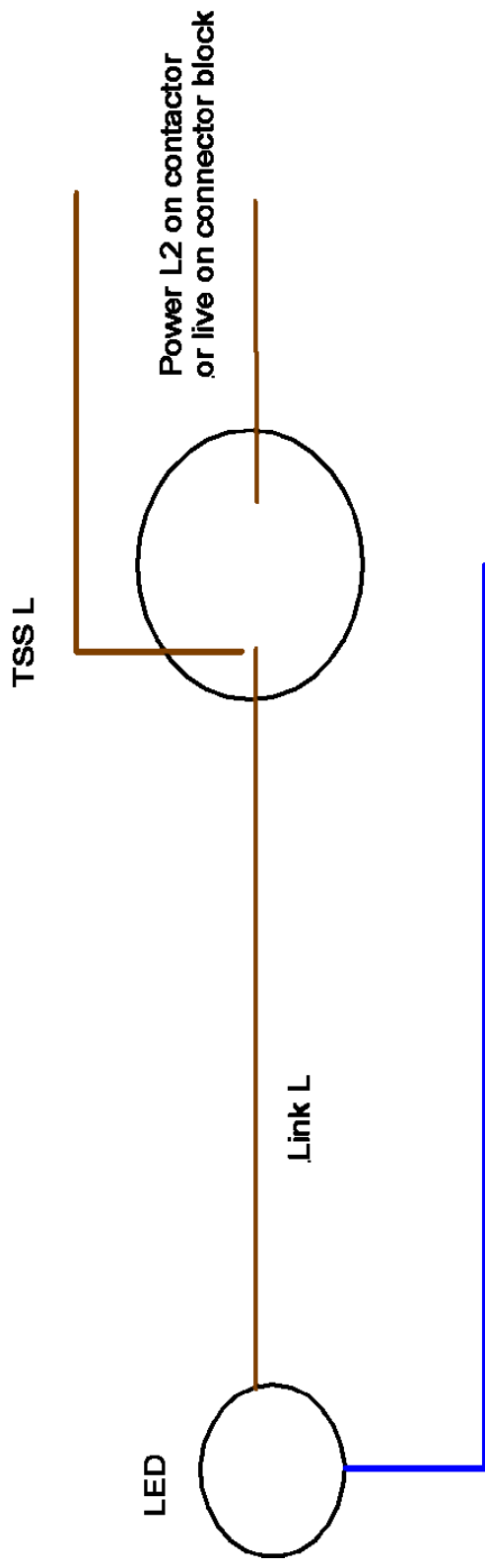
KW 24/08/11



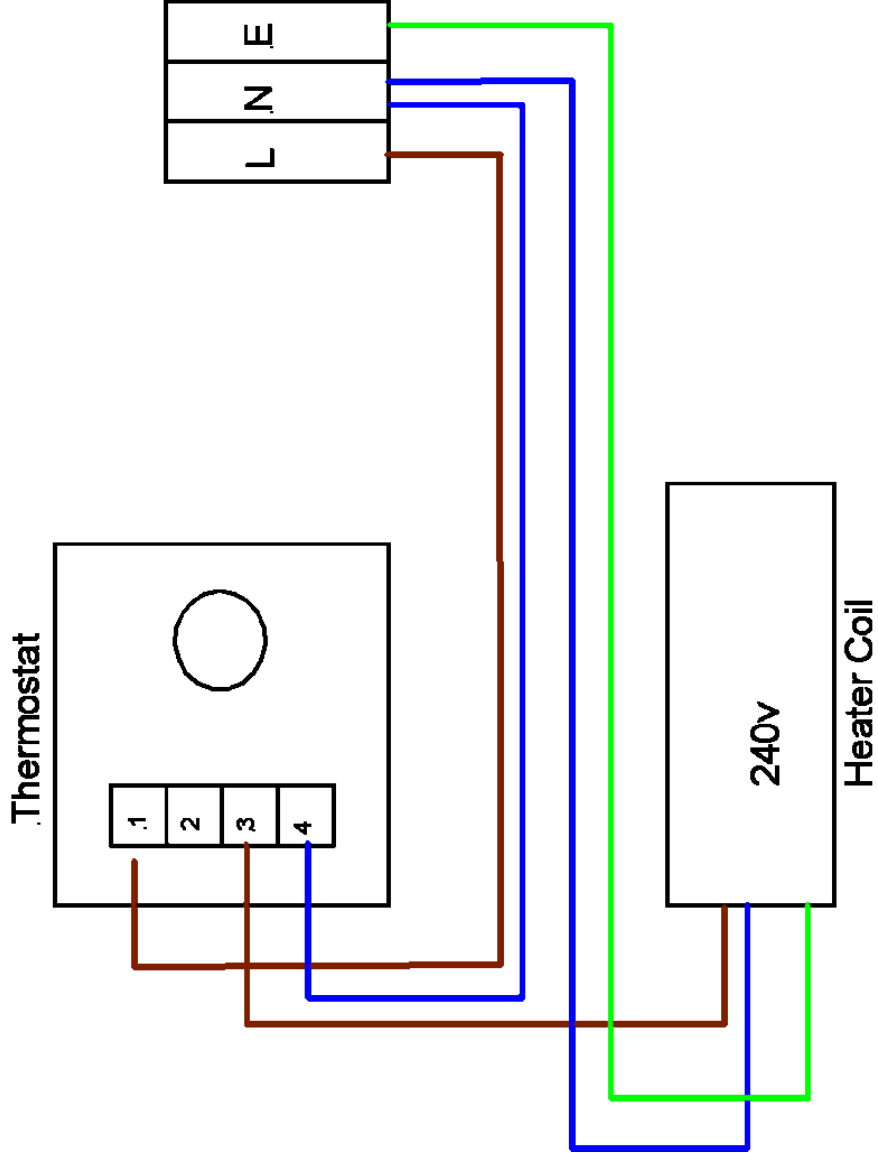
AUTO SWITCH

MAINS SUPPLY

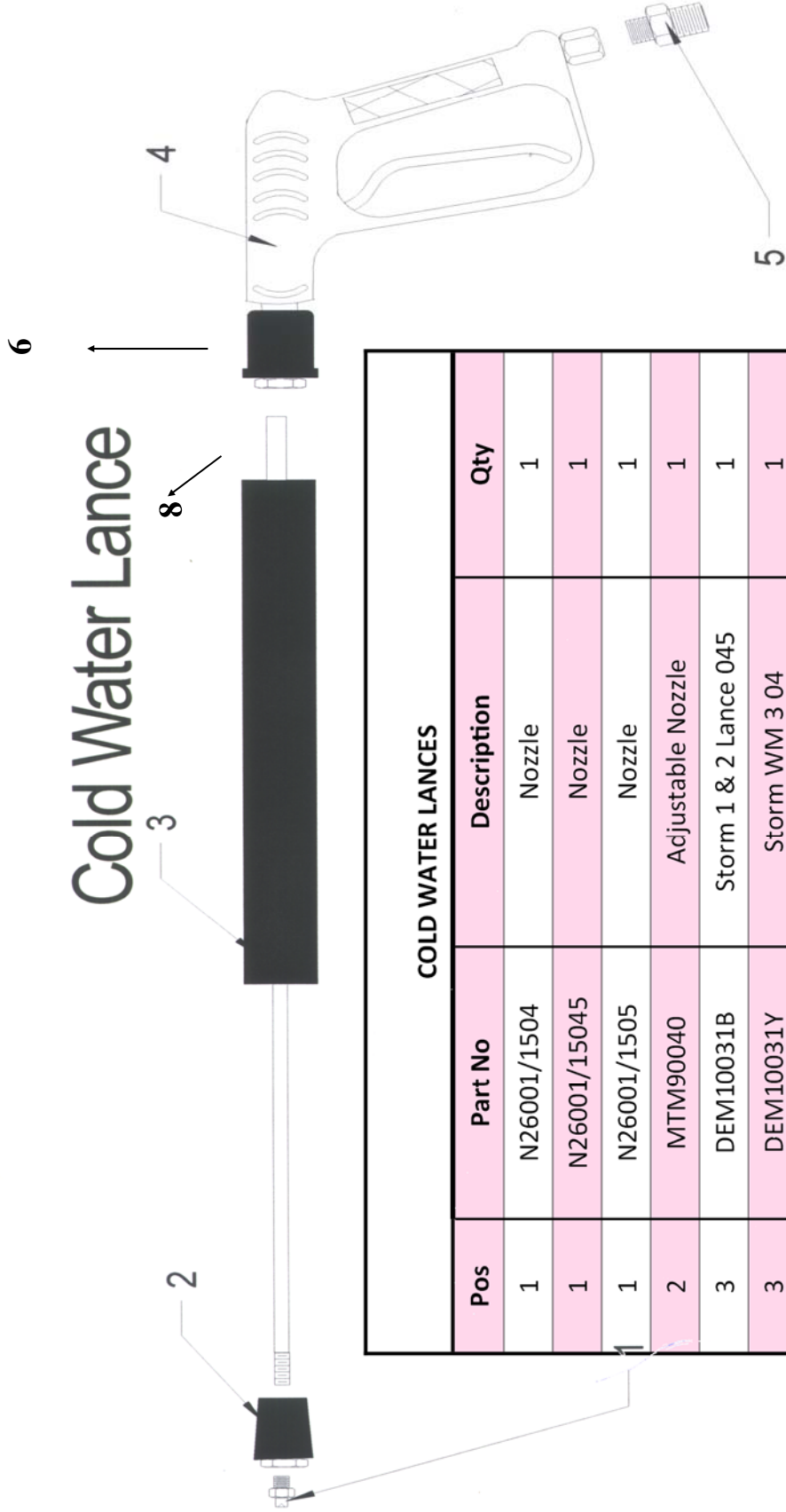
Storm Cabinet Switches



Frost Stat & Heater Coil (all cabinets)

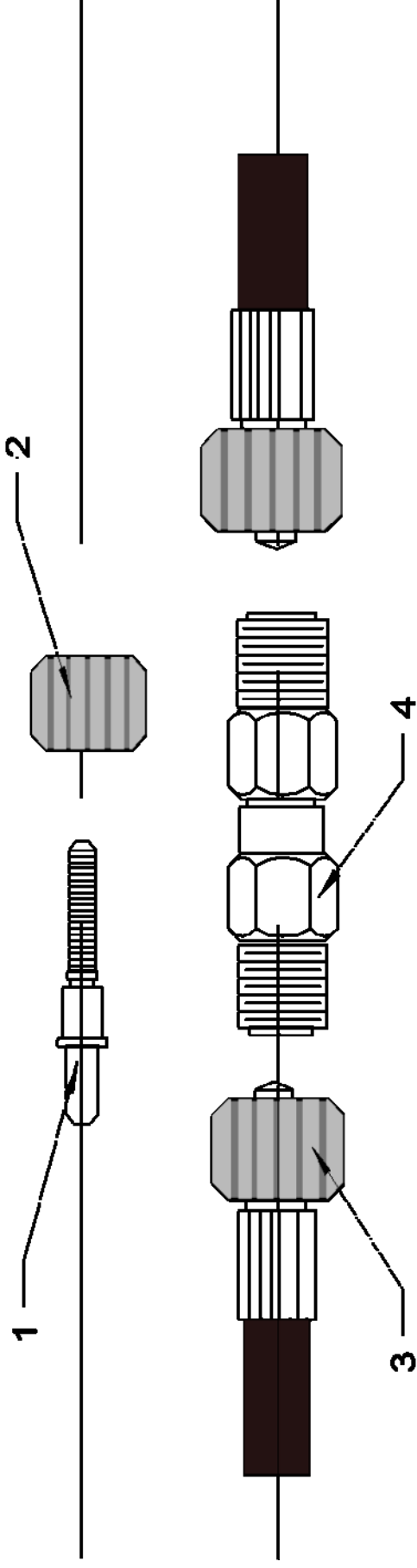


Cold Water Lance



COLD WATER LANCES			
Pos	Part No	Description	Qty
1	N26001/1504	Nozzle	1
1	N26001/15045	Nozzle	1
1	N26001/1505	Nozzle	1
2	MTM90040	Adjustable Nozzle	1
3	DEM10031B	Storm 1 & 2 Lance 045	1
3	DEM10031Y	Storm WM 3 04	1
3	DEM10031R	Storm WM 4 05	1
4	DEM10030	QR Trigger	1
5	MTM70012	MVG Nipple	1
6	MTM70033	Quick Release Coupling	1
7	MTM70033A	Rubber Seal for QR Trigger	1
8	MTM70032	QR Stem	1

High Pressure Hoses



1.	Hose Insert	MV00490 (items 1 & 2)
2.	Nut	
3.	High Pressure Hose	HH00030MVG
4.	Hose Joiner	MV00500
Alternative Hose Lengths		
	15 Metre	HH00050MVG
	30 Metre	HH00100MVG

Storm Range Inlet Fittings



Position	Part No	Description	Qty
1	DEM10041	100 Mesh Suction Filter	
2	MTM86010	Chemical Filter	
3	MTM73001	QR Nipple Female	
4	MTM73020	QR Nipple Male	
5	HH0053	Yellow Hose	
6	DEM20500	Jubilee Clip	
7	DEM10042 INC (1-4-5-6)	Suction filter with Hose and fittings	
8	DEM10115	Detergent Pipe (Chemical Pipe)	3mtr
9	MTM73K991	Plastic washer for NO 3	

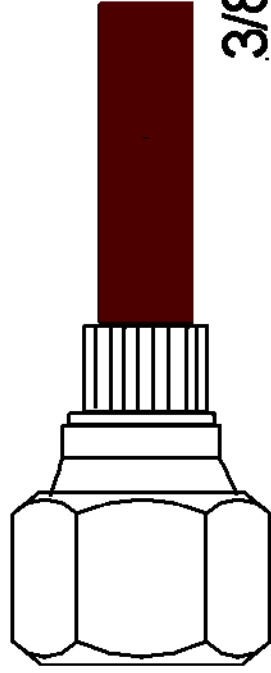
Storm Wall Mounted Internal Hose

KTW 25/6/09

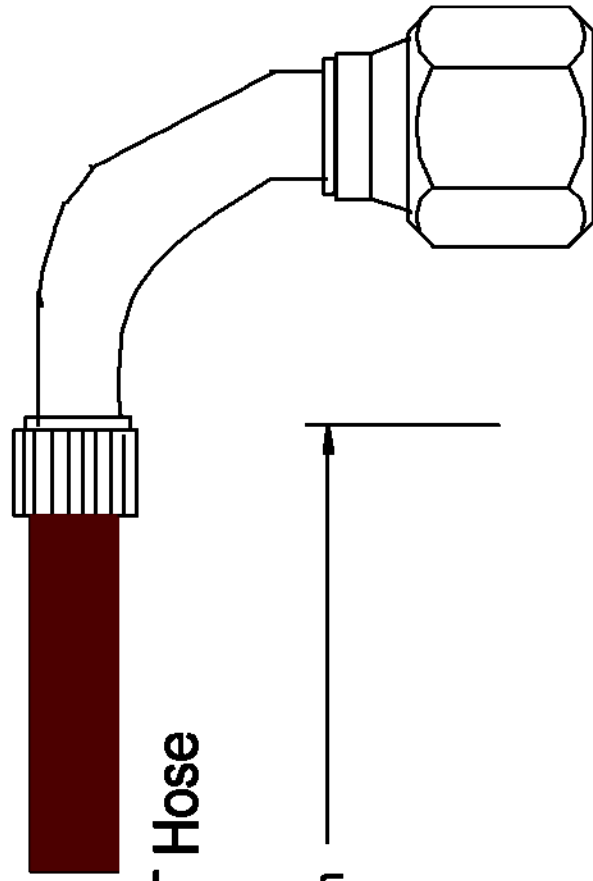
Pump head to gauge and Unloader valve to outlet

HH0010

3/8" BSP 90° Straight



3/8" BSP 90°



3/8" R1T Hose

690mm

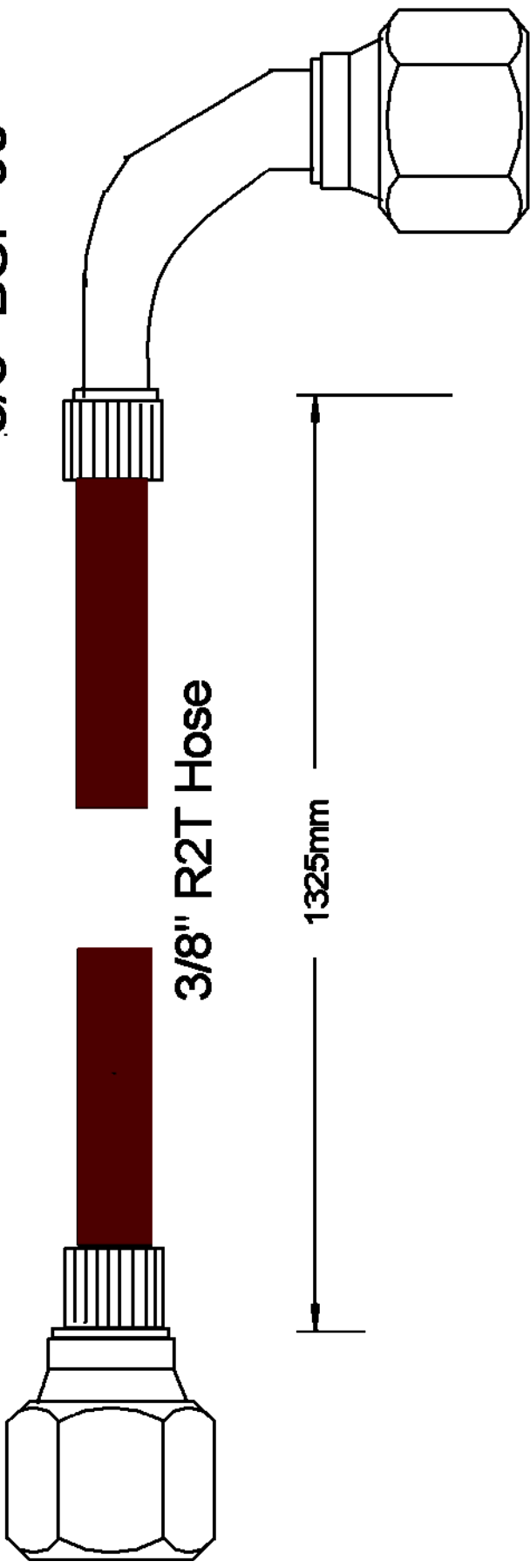
**Storm Wall Mounted 415V
Pump to pressure gauge**

KTW 29/6/09

HH00101

3/8" BSP 90° Straight

3/8" BSP 90°



3/8" R2T Hose

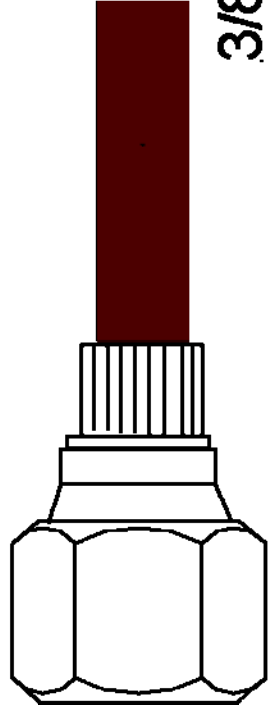
1325mm

**Wall Mounted 415v Storm
Unloader valve to outlet**

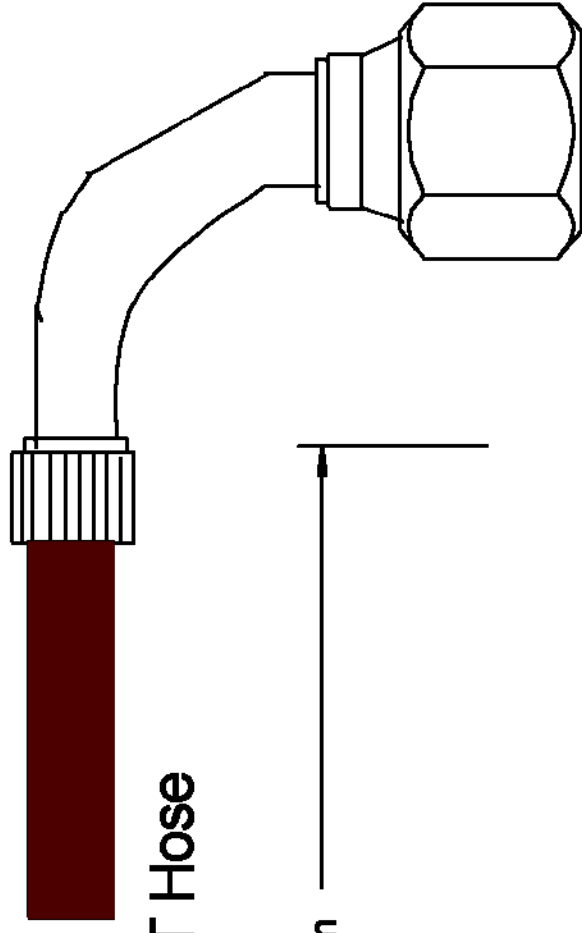
HH00102

KTW 29/6/09

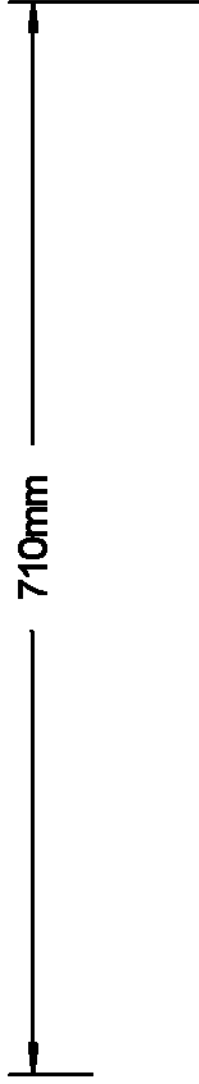
3/8" BSP 90° Straight



3/8" BSP 90°



3/8" R2T Hose



EC DECLARATION OF CONFORMITY

We **Demon International Ltd**
Of **Abbots Close, Lee Mill Industrial Estate, Ivybridge, Devon PL21 9GA**

Declare that:

Equipment **High Pressure Water Jet Machines**

Model name/number

Serial number

Conforms to the relevant safety and health related requirements of the appropriate EC Directives. This declaration shall be valid if modifications are made to the machine without our approval.

In accordance with the following EU Directives:

- 73/23/EEC** **The Low Voltage Directive** – and its amending directives
- 89/336/EEC** **The Electromagnetic Compatibility Directive** – and its amending directives
- 98/37/EEC** **The Machinery Directive** – and its amending directives
- 2000/14/EC** **Noise Directive**

Harmonised Standards Applied:

EN 292-1 & EN292-2 (now ISO:12100), EN 60335-2-79, EN55014-1, EN55014-2, EN 61000-3-2

Applied national standards and technical specifications:

DS EN 60335-2-79

Applied conformity evaluation method

Appendix V

Sound power level dB(A):

	Storm 1	Storm 2	Storm WM1	Storm 4 & WM4	Storm FS1	Storm FS4	Storm 500
Measured	80	75	80	84	80	84	85
Guaranteed	81	76	81	85	81	85	86

HAV – All triggers and lances have vibration levels below 2.5 m/s²

I hereby declare that the equipment named above has been designed to comply with the relevant sections of the above specifications. The unit complies with all essential requirements of the Directives.

Signed:  **Martyn Walke** **Authority: Technical Director**

Date:

Technical Documentation Address: Abbots Close, Lee Mill Industrial Estate, Ivybridge, Devon PL21 9GA

E&OE